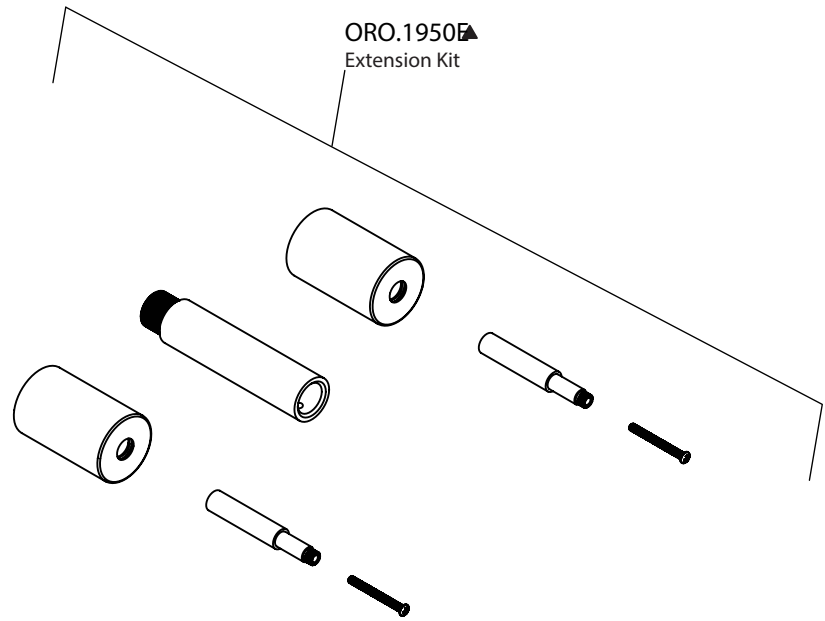


Product Parts Breakdown



Model No.ORO.1950E **Ver** 2.53

