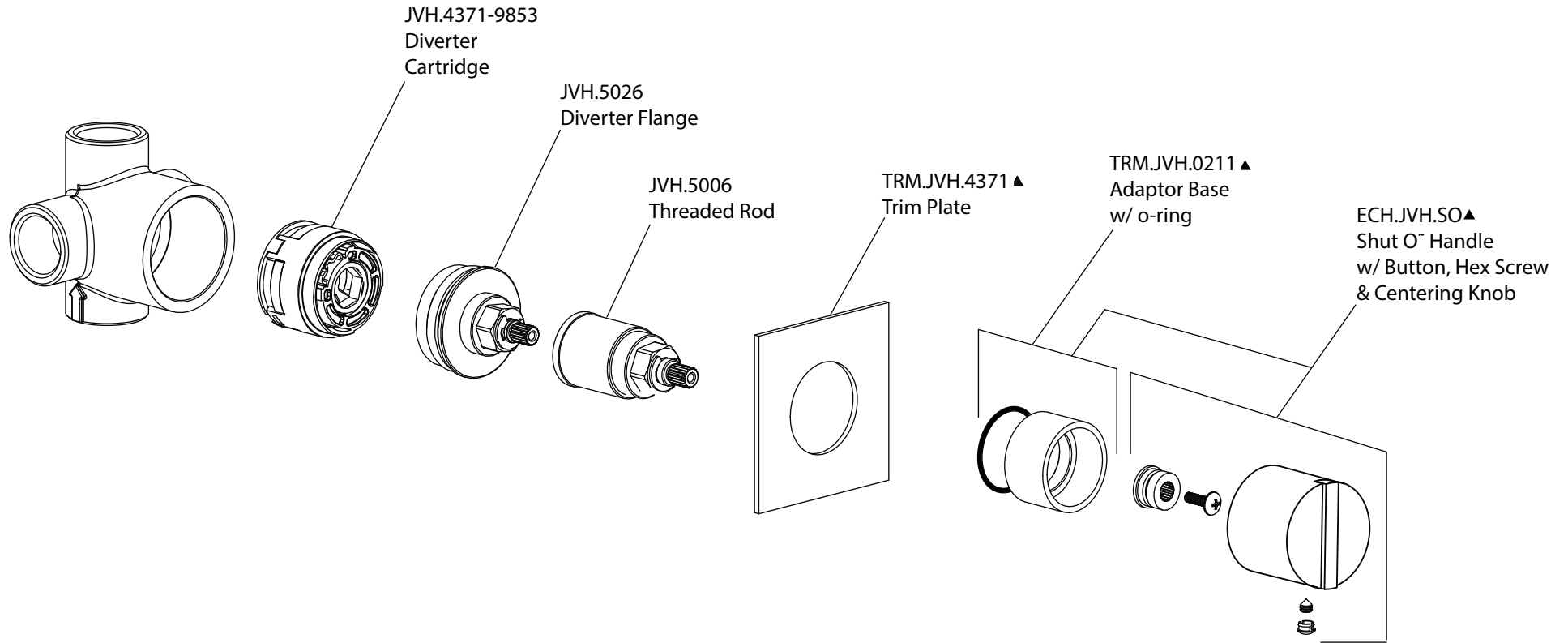


# Product Parts Breakdown



**Model No.**ECH.4371

**Ver** 2.53