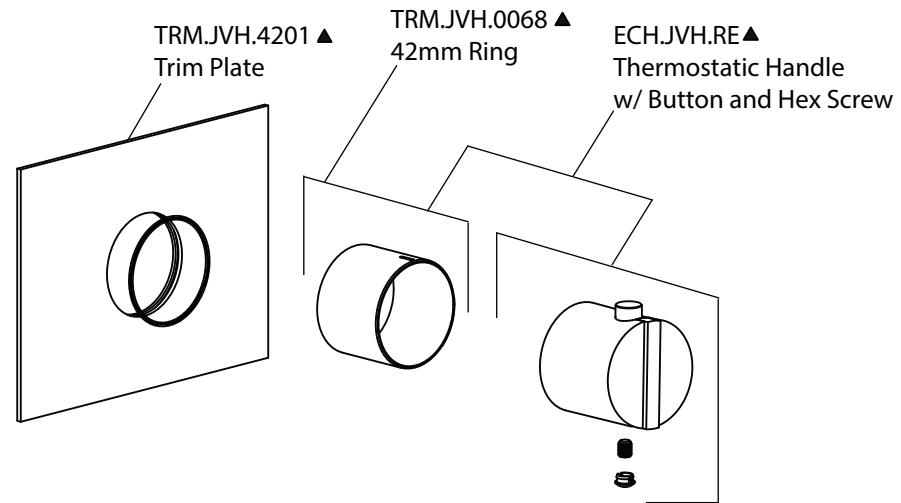


Product Parts Breakdown



Model No.ECH.4201T

Ver 2.53