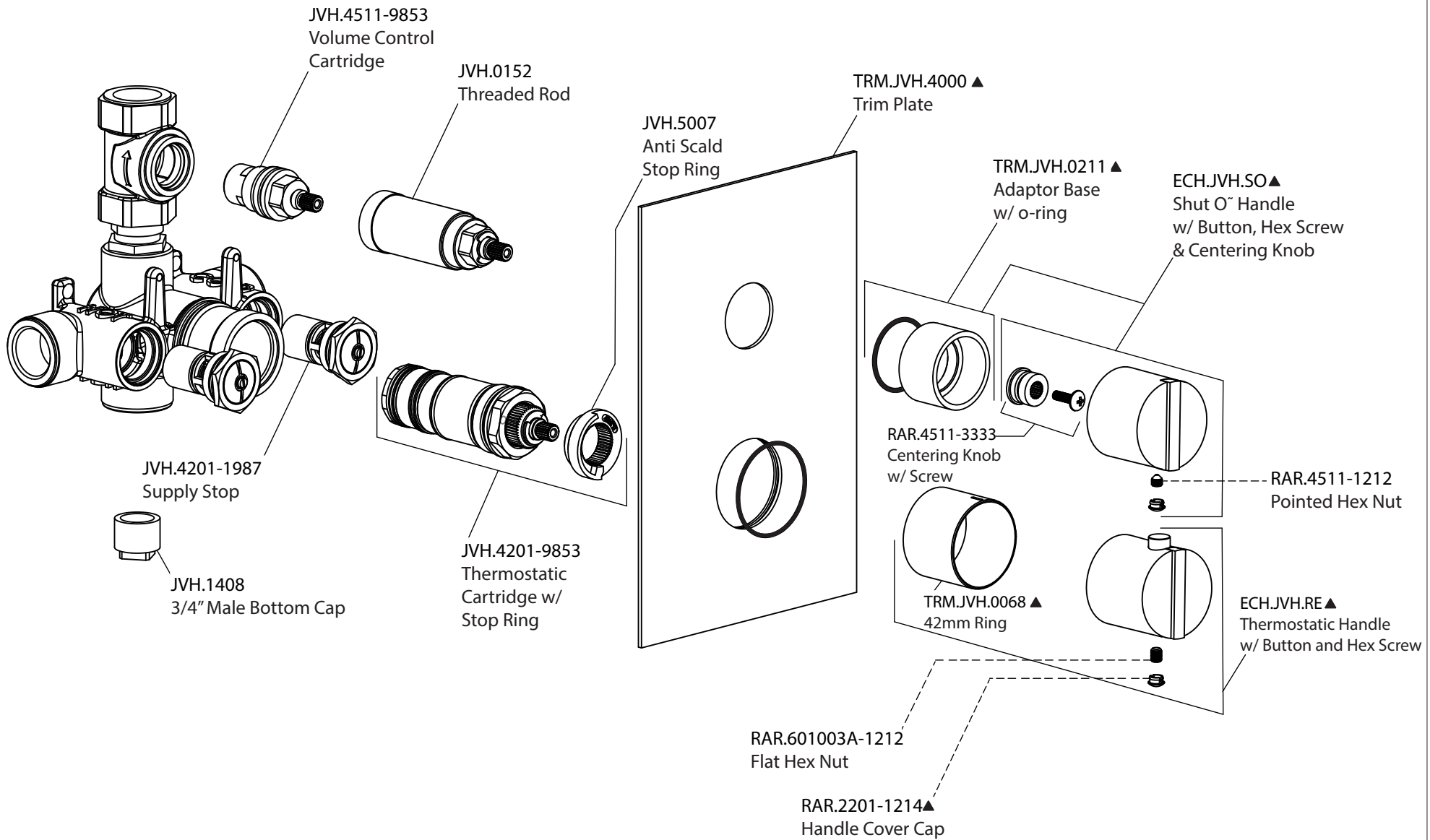


Product Parts Breakdown



Model No.ECH.4101

Ver 2.55