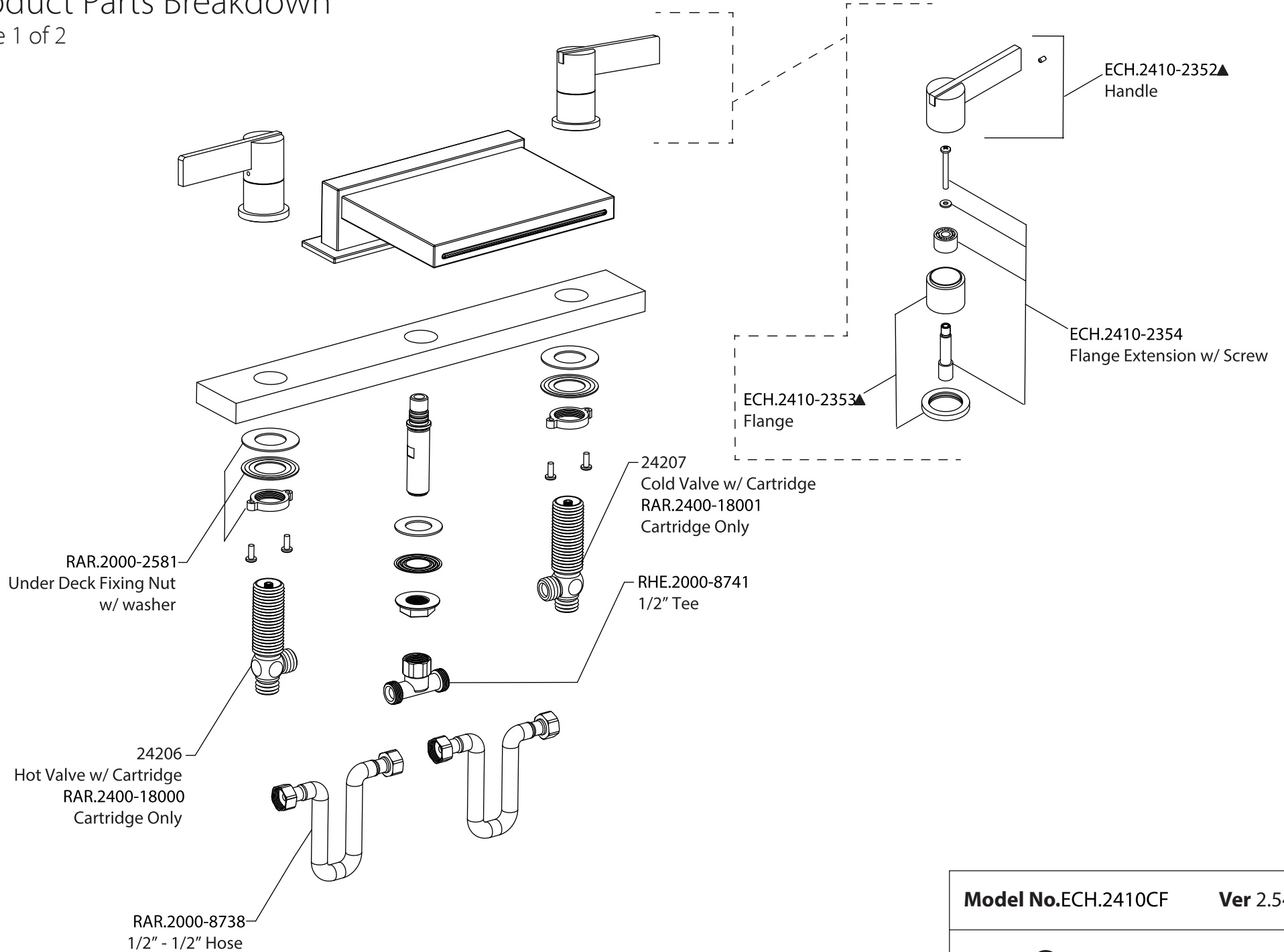


Product Parts Breakdown

Page 1 of 2

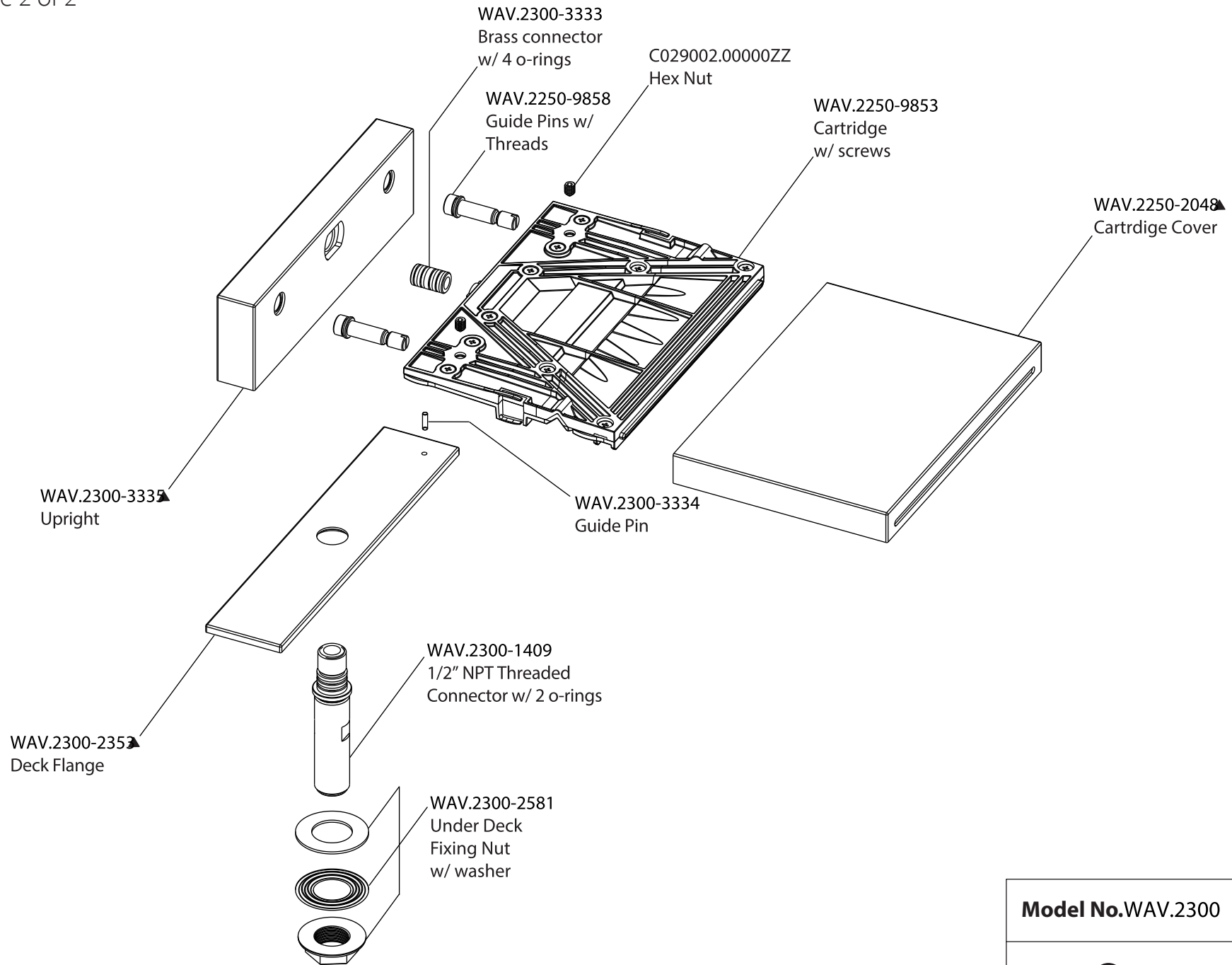


Model No.ECH.2410CF **Ver** 2.54



Product Parts Breakdown

Page 2 of 2



Model No. WAV.2300 **Ver** 2.53

