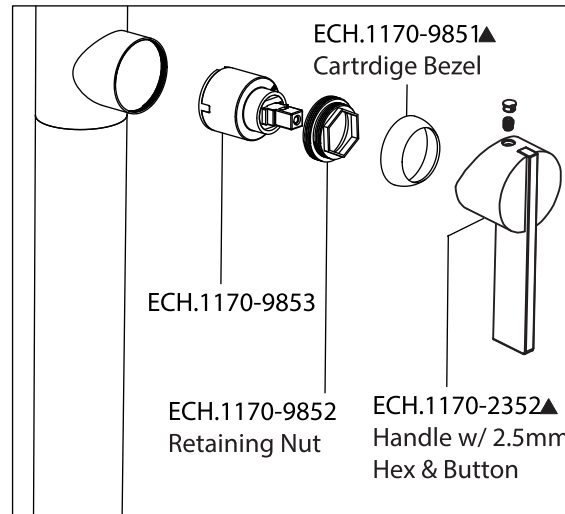
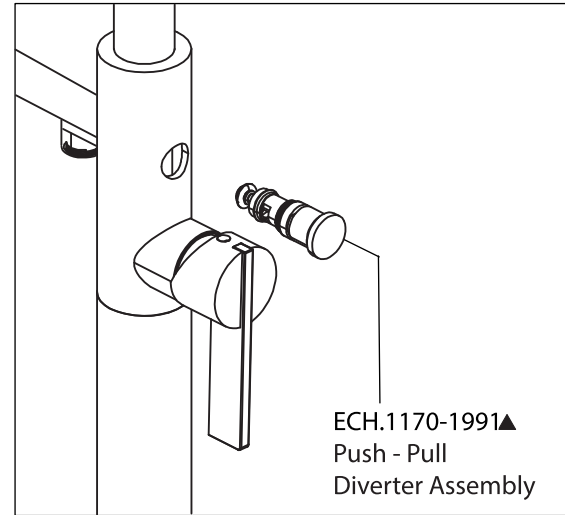
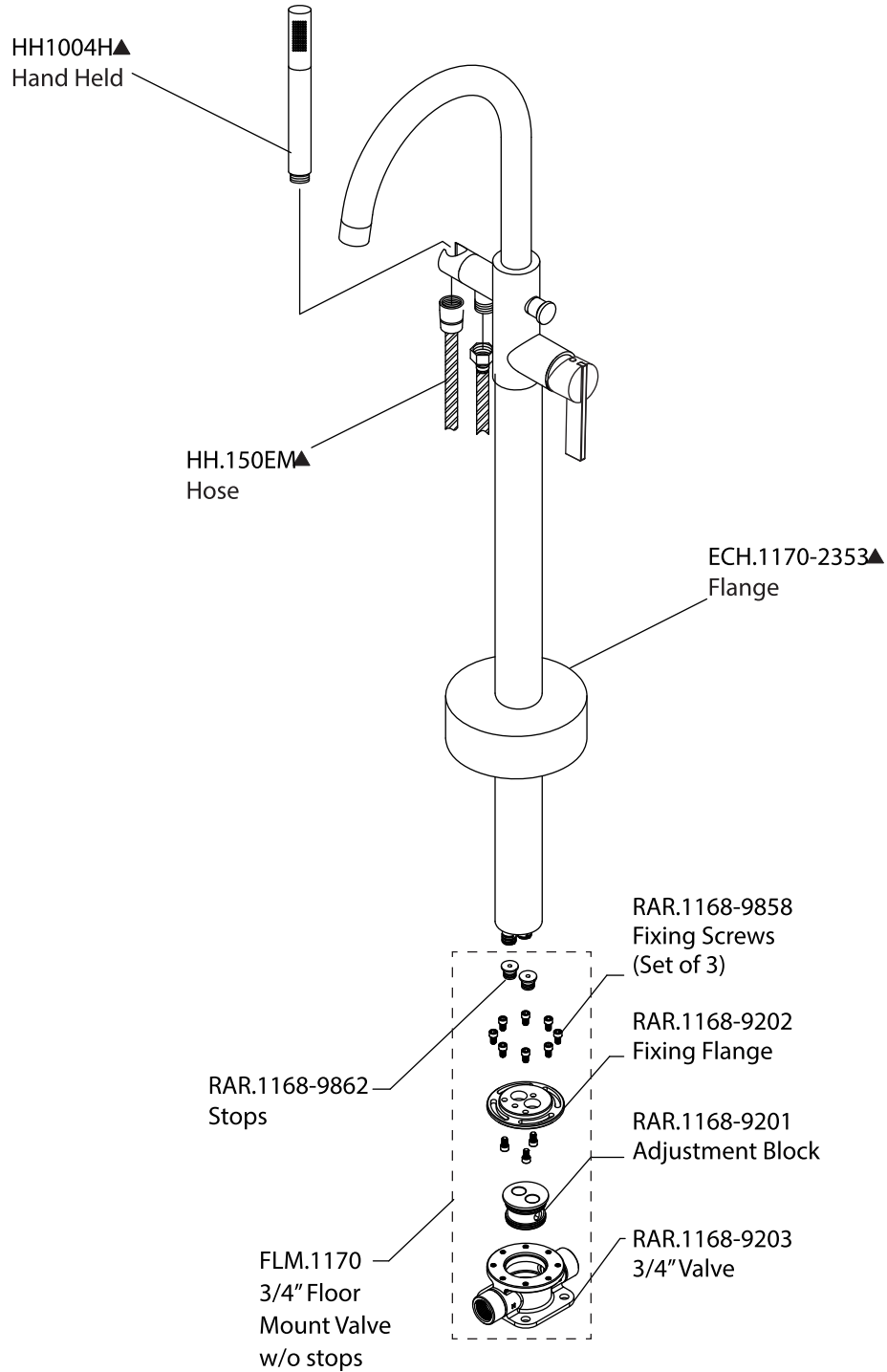


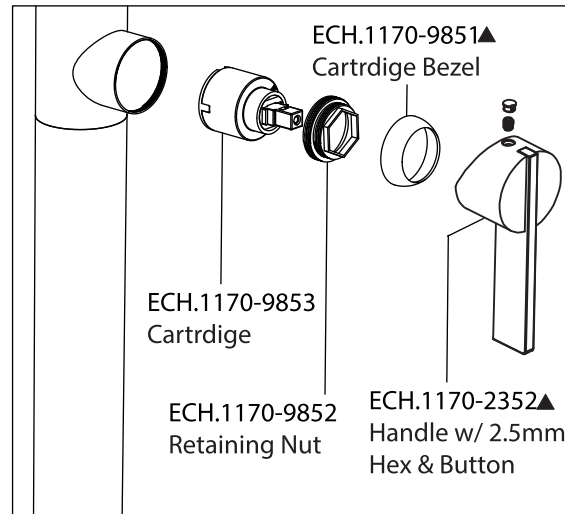
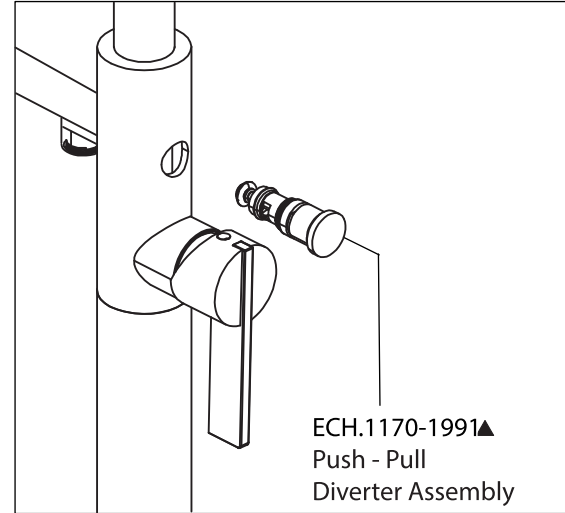
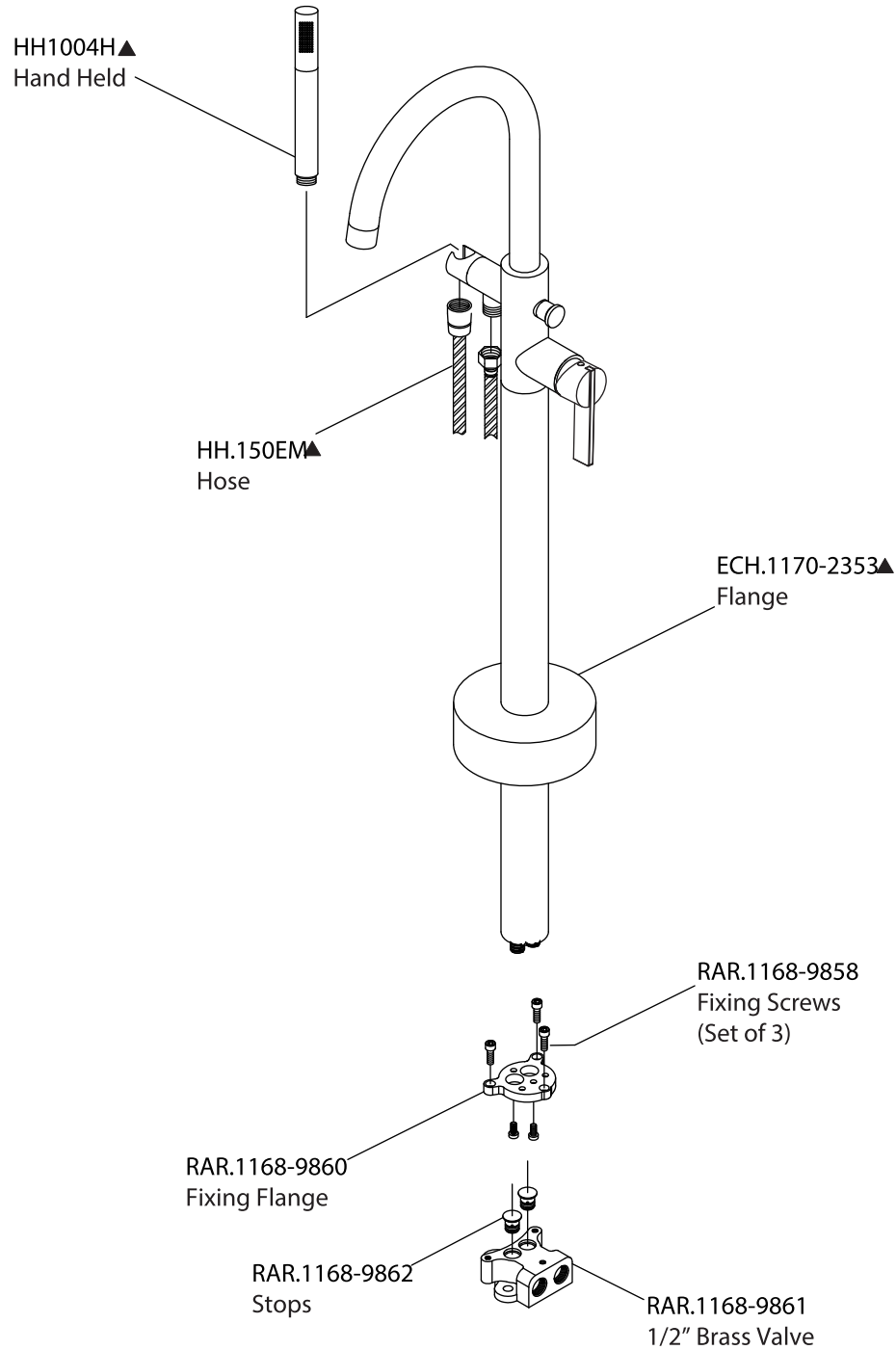
Product Parts Breakdown - (3/4" Version)



Model No.ECH.1170 **Ver** 2.56



Product Parts Breakdown - (1/2" Version)



Model No.ECH.1170

Ver 2.54