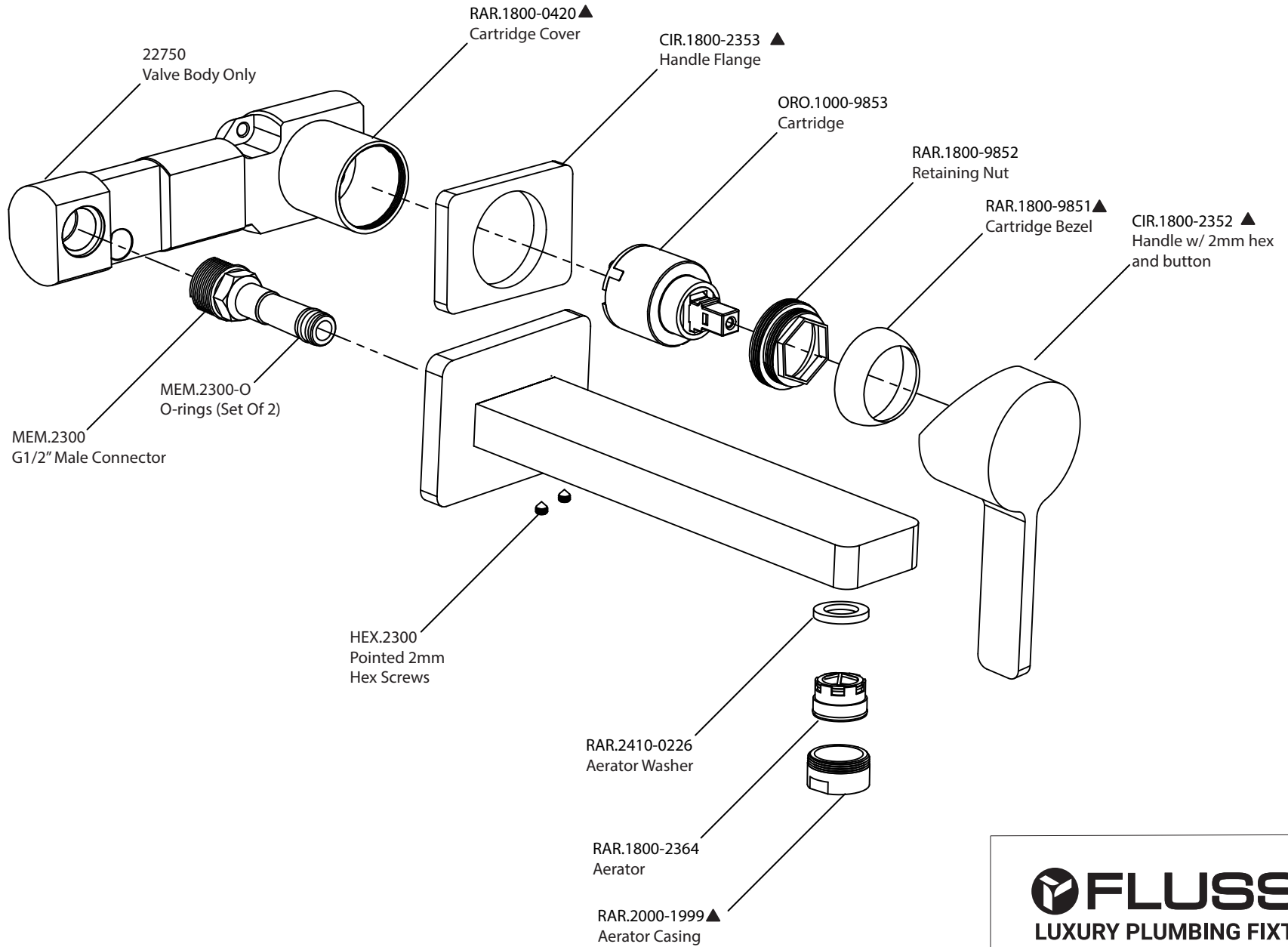


Product Parts Breakdown



CIR.1800