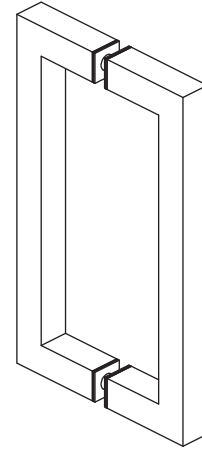


Installation Manual For SDH.1000 8' Square Pull Handle



NOTICE TO HOMEOWNER

- We recommend that this product is installed by a qualified professional plumber.
- Please check this product immediately to ensure that it has not been damaged and is complete. Before installation, please make sure this product is the correct model and you have all the parts required for installation and use.
- Please flush the water system to ensure that no metal swarf, solder, and other impurities can enter the product.
- Turn off water supply before commencing work.
- Please read these instructions carefully and retain for future reference.

BEFORE YOU BEGIN

- You must observe all local plumbing laws and codes.
- Do not instal valve if it does not meet local plumbing codes.
- Shut off the main water supply.

Installation Manual For SDH.1000

8" Square Pull Handle

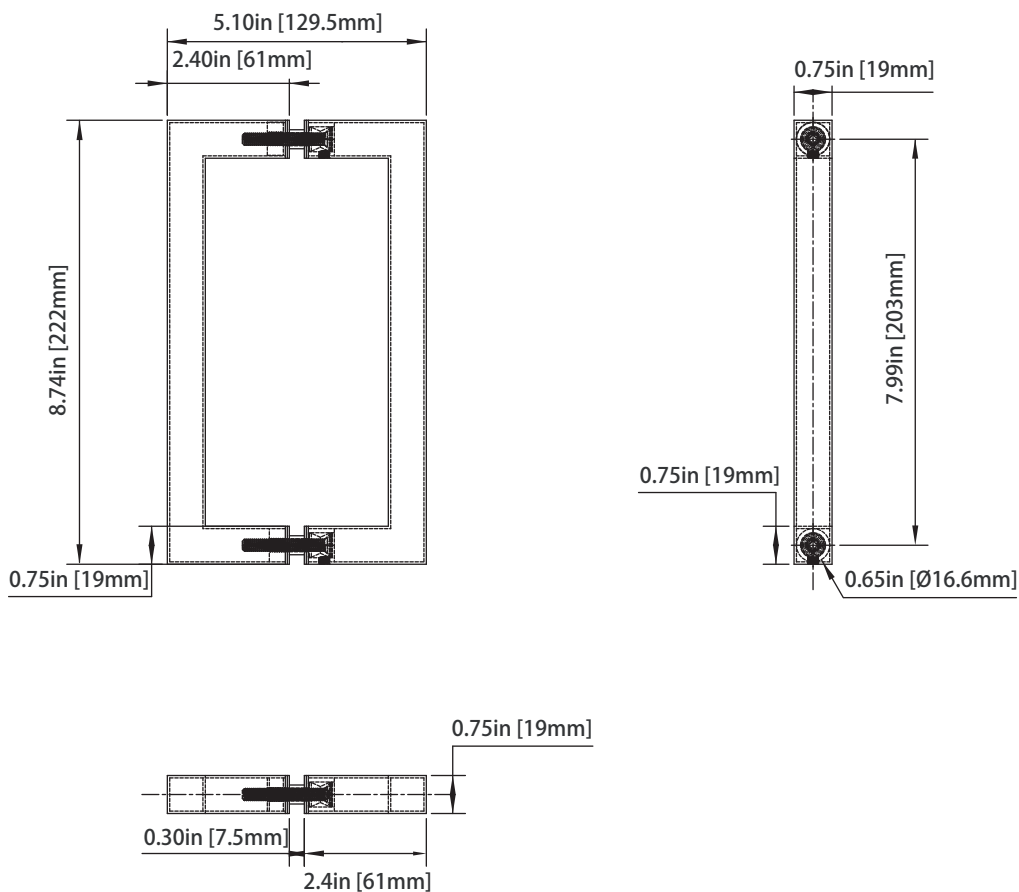
TABLE OF CONTENTS

OPERATING SPECIFICATIONS	3
INSTALLING HANDLE	5

OPERATING SPECIFICATIONS

- **Glass Size:** 3/8" to 1/2" (10 to 12 mm) Tempered Glass only
- **Construction:** Solid Brass
- **Use:** Residential Bath Commercial Hotel Applications

TECHNICAL DRAWING



Critical Dimensions in Inches [mm]

SPECIFICATION

- No Washer Allows Seamless Look
- 3/4" Diameter Heavy-Duty Tubular Construction
- 8" Center-to-Center
- Designed for use on 3/8" to 1/2" Tempered Glass

• CARE & CLEANING GUIDELINES:

Only use tempered safety glass, To prevent damage to the clamp finish
During Installtion, do not use power tools when installing these clamps.

For best result, keep the following recommendations in mind when caring
for you shower door hardware. Your shower door hardware should be dried
daily with a soft towel or cloth to insure its original finish.

Do not use harsh cleaners or chemicals on the hardware, as many of the
components are coated with a clear lacquer that will become damaged
beyond repair.

Always test your cleaning solution in an inconspicuous area prior to cleaning
the entire hardware surface.

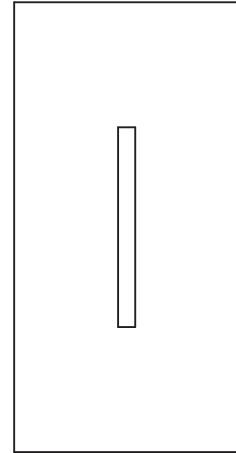
Wipe surfaces clean using a soft dampened cloth or sponge and rinse completely
with warm water immediately after applying the cleaning solutions.

Use only smalll amout of liquid, gentle cleaner.

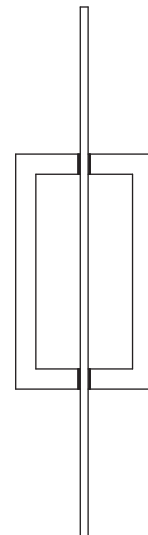
Never use abrasive products, sponges, or wire scrub brushes while cleaning
hardware.

• MAINTENANCE:

Hinges come factory greased for a silent, hassle-free experience.
If there is any noticeable squeaking that occurs after installation,
it is recommended to apply a few drops of (3 in 1) multi-purpose
oil to the hinge, at the nylon washer/pivot location. The lubricant
will penetrate the hinge crevices, reducing friction, cleaning grime,
and/or build up. Spray lubricants are prohibited. If, for some reason,
the hinge is disassembled during maintenance, use a small amount
of white lithium grease to lubricate the interior hinge components.



FRONT VIEW

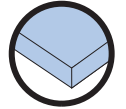


SIDE VIEW

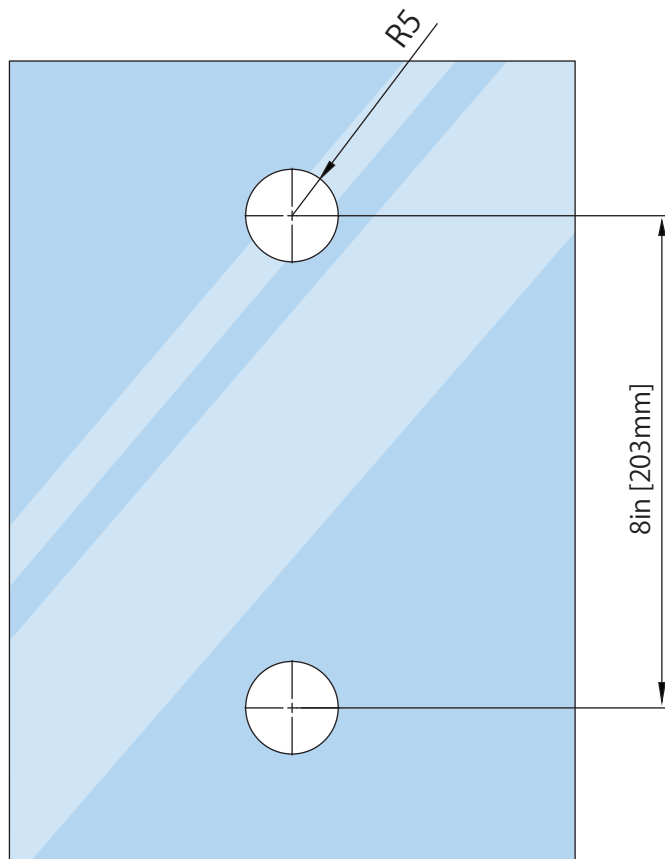
INSTALLATION

GLASS CUTOUT DETAILS

8" Square Pull Handle
Item No: SDH.1000

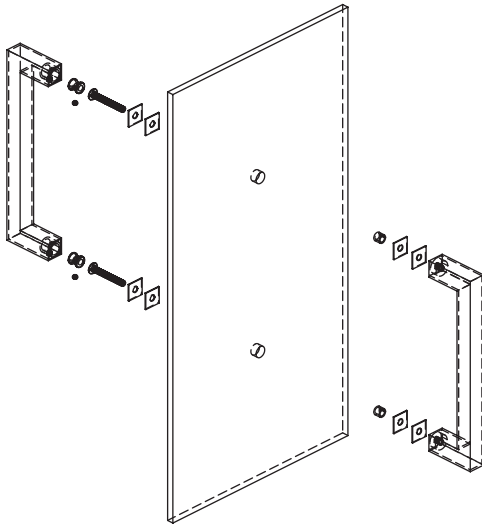


**USE ONLY
MONOLITHIC
TEMPERED GLASS**

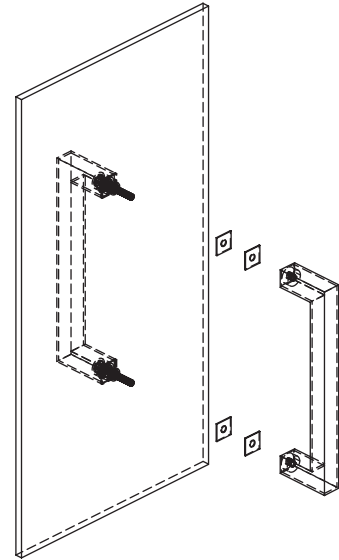


Tolerance : ± 0.1
Glass Thickness: 3/8in [~10mm] to 1/2in [~12mm]

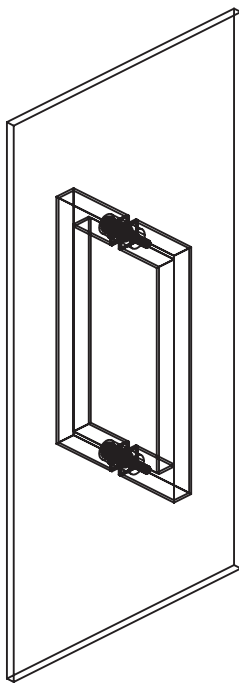
INSTALLATION



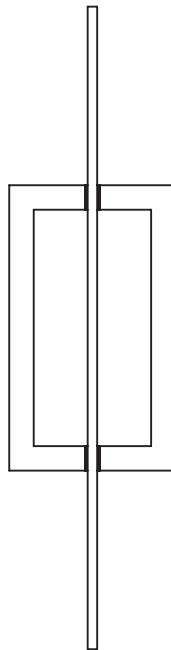
ISO EXPLODED VIEW-1



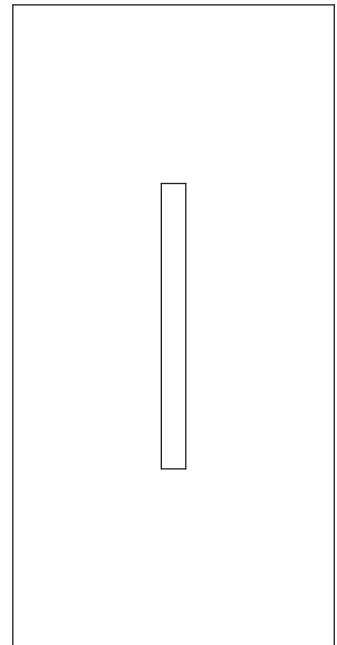
ISO EXPLODED VIEW-2



ISO VIEW- 3



RIGHT VIEW-4



FRONT VIEW- 5