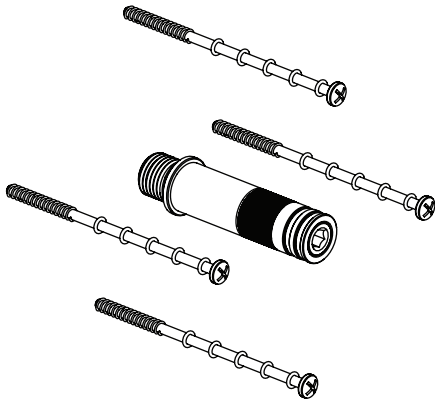


Installation Manual For 160.6410E - Body Jet Extensions

FOR USE WITH

196.6410
160.6410
100.6410



NOTICE TO HOMEOWNER

- We recommend that this product is installed by a qualified professional plumber.
- Please check this product immediately to ensure that it has not been damaged and is complete. Before installation, please make sure this product is the correct model and you have all the parts required for installation and use.
- Please flush the water system to ensure that no metal swarf, solder, and other impurities can enter the product.
- Turn off water supply before commencing work.
- Please read these instructions carefully and retain for future reference.

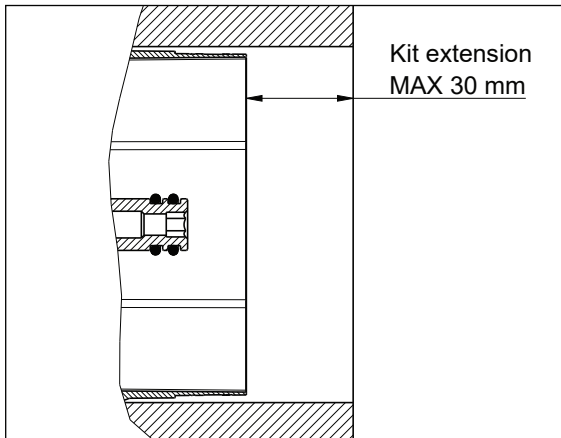
TABLE OF CONTENTS

- | | |
|-----------------------------|---|
| • Installing The Extensions | 2 |
|-----------------------------|---|

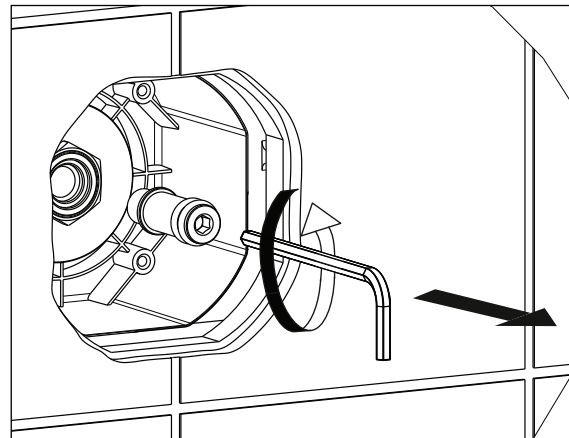
BEFORE YOU BEGIN

- You must observe all local plumbing laws and codes.
- Do not install this product if it does not meet plumbing codes.
- Shut off the main water supply.

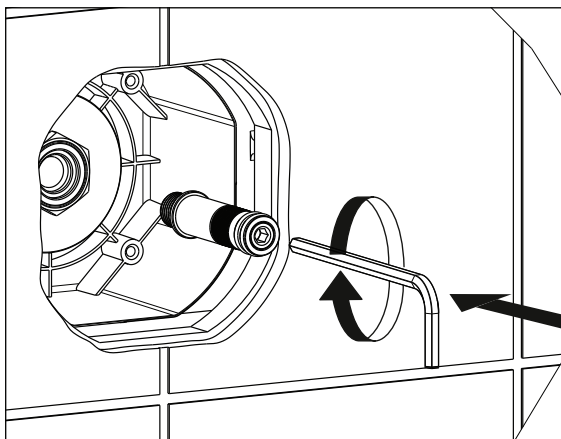
INSTALLING THE BODY JET EXTENSIONS



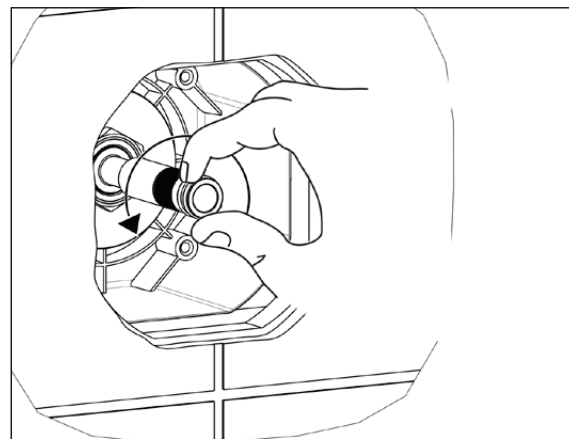
1 Maximum extension 30 mm



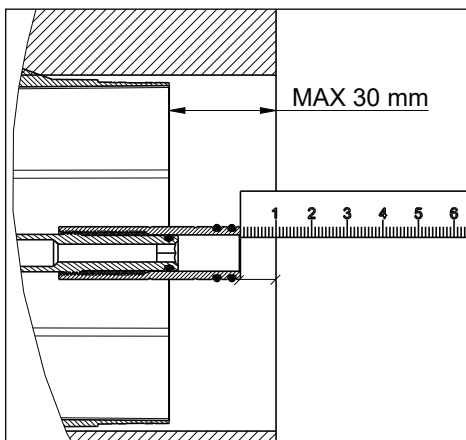
2 Unscrew and remove the central pin



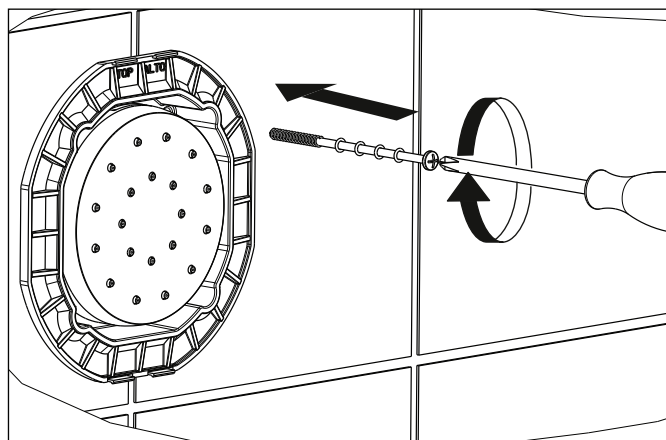
3 Screw the extension pin



4 Position the pin manually according to the desired distance



5 The pin must always be 1 cm back from the wall edge



6 Place the bodyjet and the 4 special screws