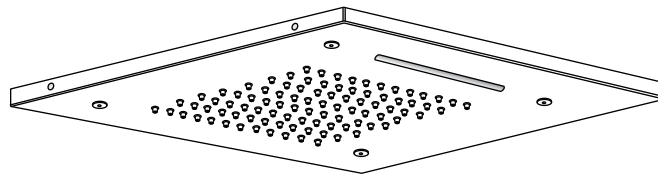


# Installation Manual For MSS.20S

## 20" Rain Head With Cascade Flow & Mist



### NOTICE TO HOMEOWNER

- We recommend that this product is installed by a qualified professional plumber.
- Please check this product immediately to ensure that it has not been damaged and is complete. Before installation, please make sure this product is the correct model and you have all the parts required for installation and use.
- Please flush the water system to ensure that no metal swarf, solder, and other impurities can enter the product.
- Turn off water supply before commencing work.
- Please read these instructions carefully and retain for future reference.

### BEFORE YOU BEGIN

- You must observe all local plumbing laws and codes.
- Do not install this valve if it does not meet local plumbing codes.
- Shut off the main water supply.

# Installation Manual For MSS.20S

## 20" Rain Head With Cascade Flow & Mist

### TABLE OF CONTENTS

• Operating Specifications . . . . .	1
• Mounting Dimensions / Height Placement. . . . .	2
• Installation Instructions . . . . .	3

## OPERATING SPECIFICATIONS

### WATER TEMPERATURE



This product is to be used with water at a temperature range of 40°F - 120°F ONLY!

### WATER PRESSURE

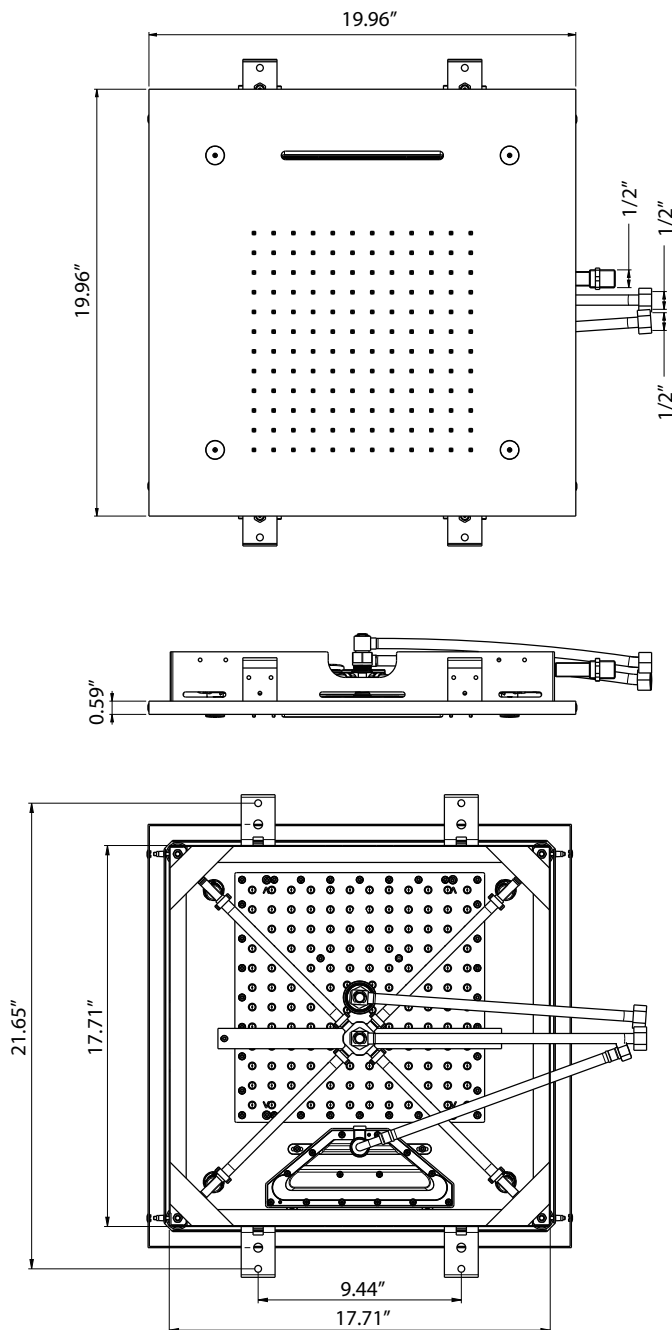


This product is to be used with a water pressure range of 15 PSI to 72 PSI ONLY

If water pressure is greater than 72 PSI install a pressure reducing valve (PRV)

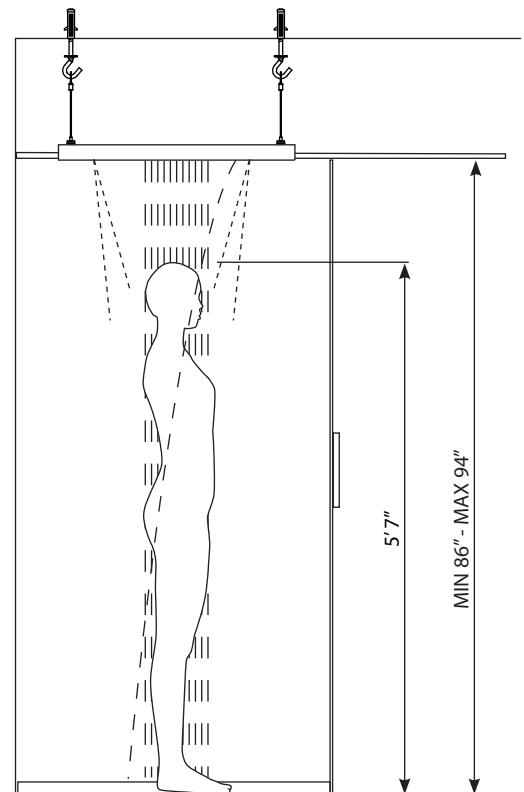
## MOUNTING DIMENSIONS

The MSS.20S installs flush into the ceiling. Review the dimensions on the right to ensure that adequate area is left for fixing the mounting brace into the ceiling.

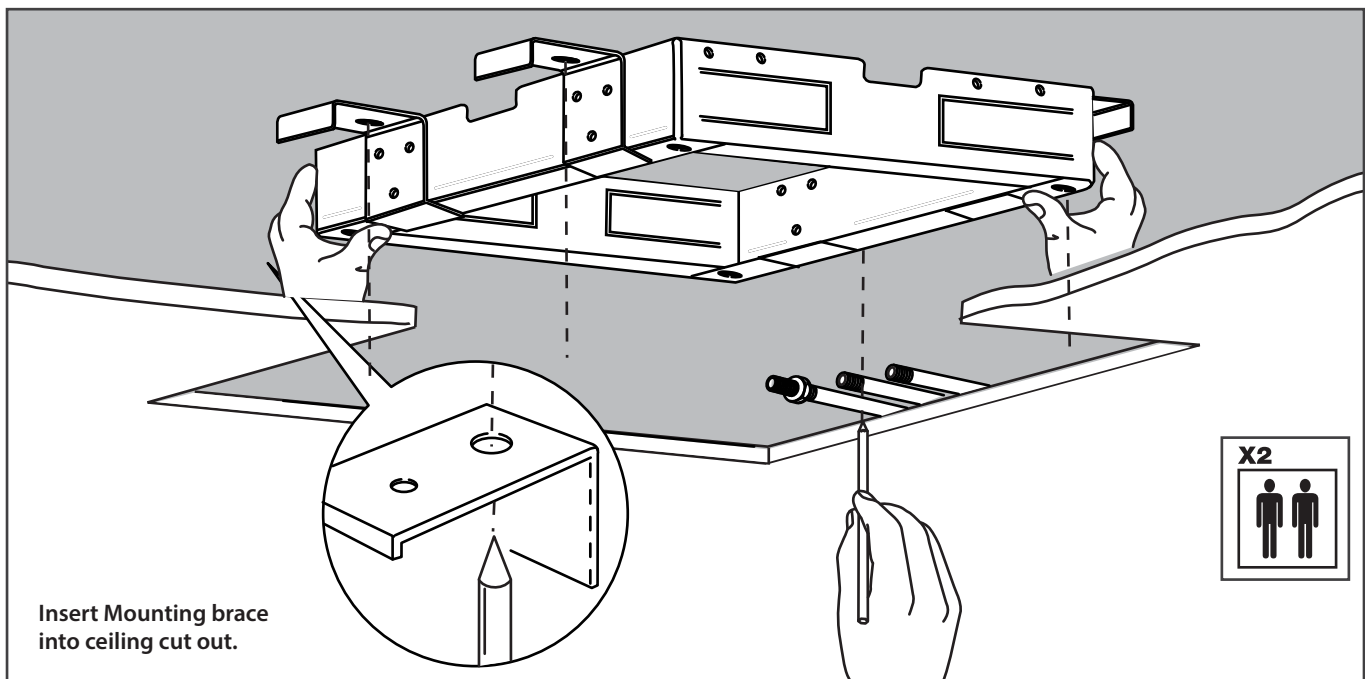
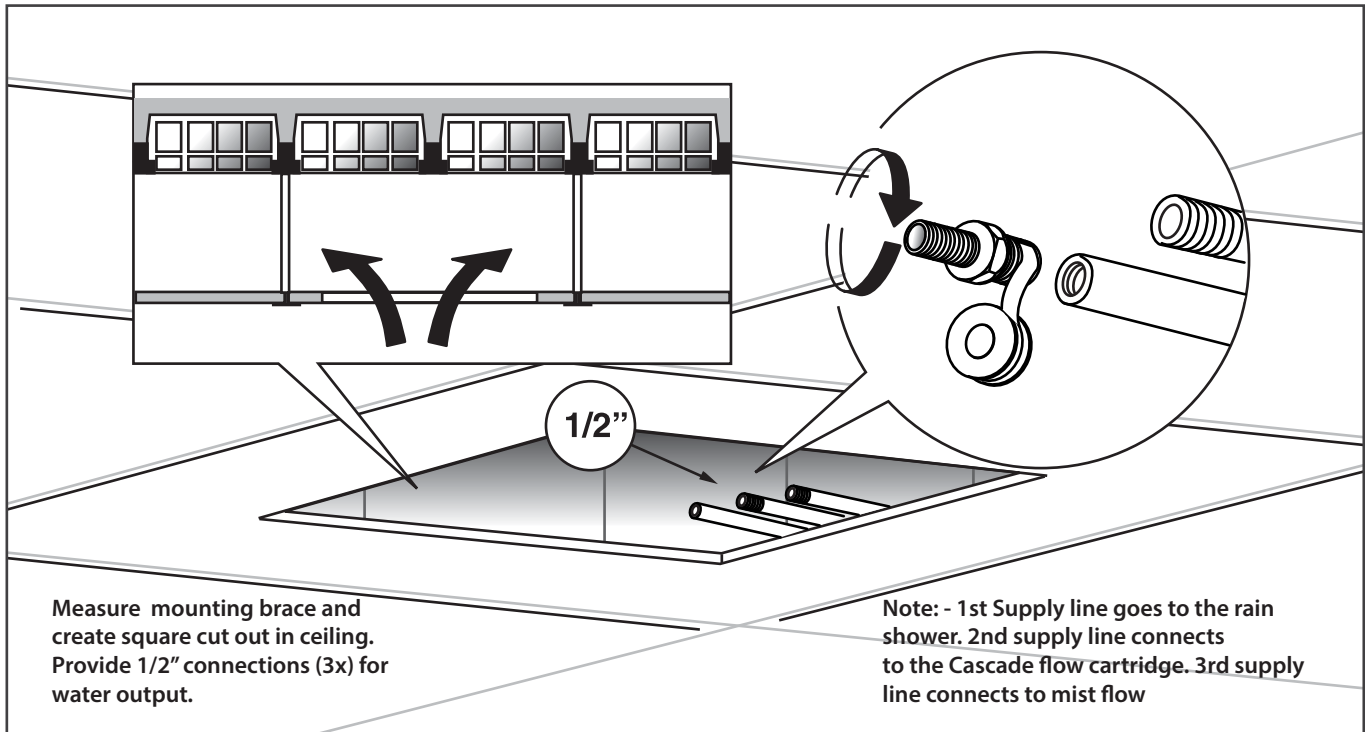


## RAIN HEAD HEIGHT PLACEMENT

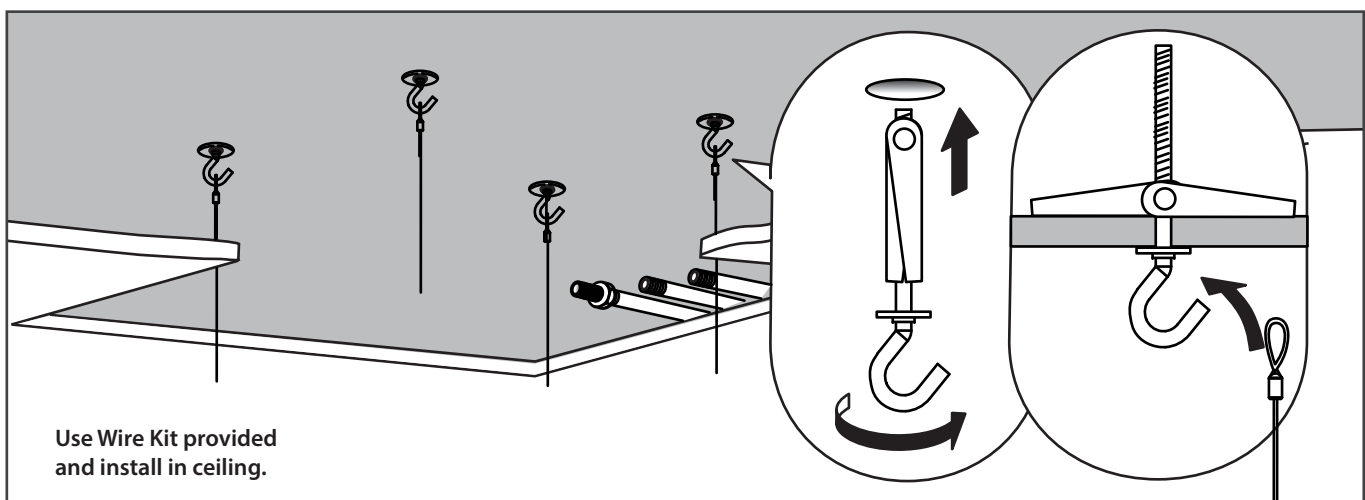
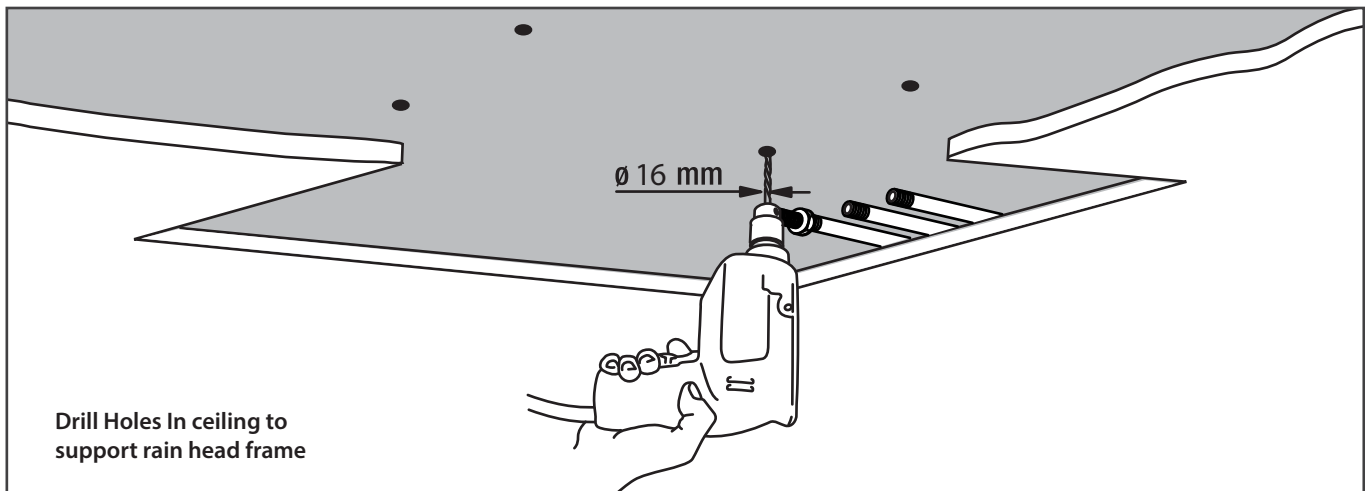
The MSS.20S will operate optimally if the below height install specifications are followed.



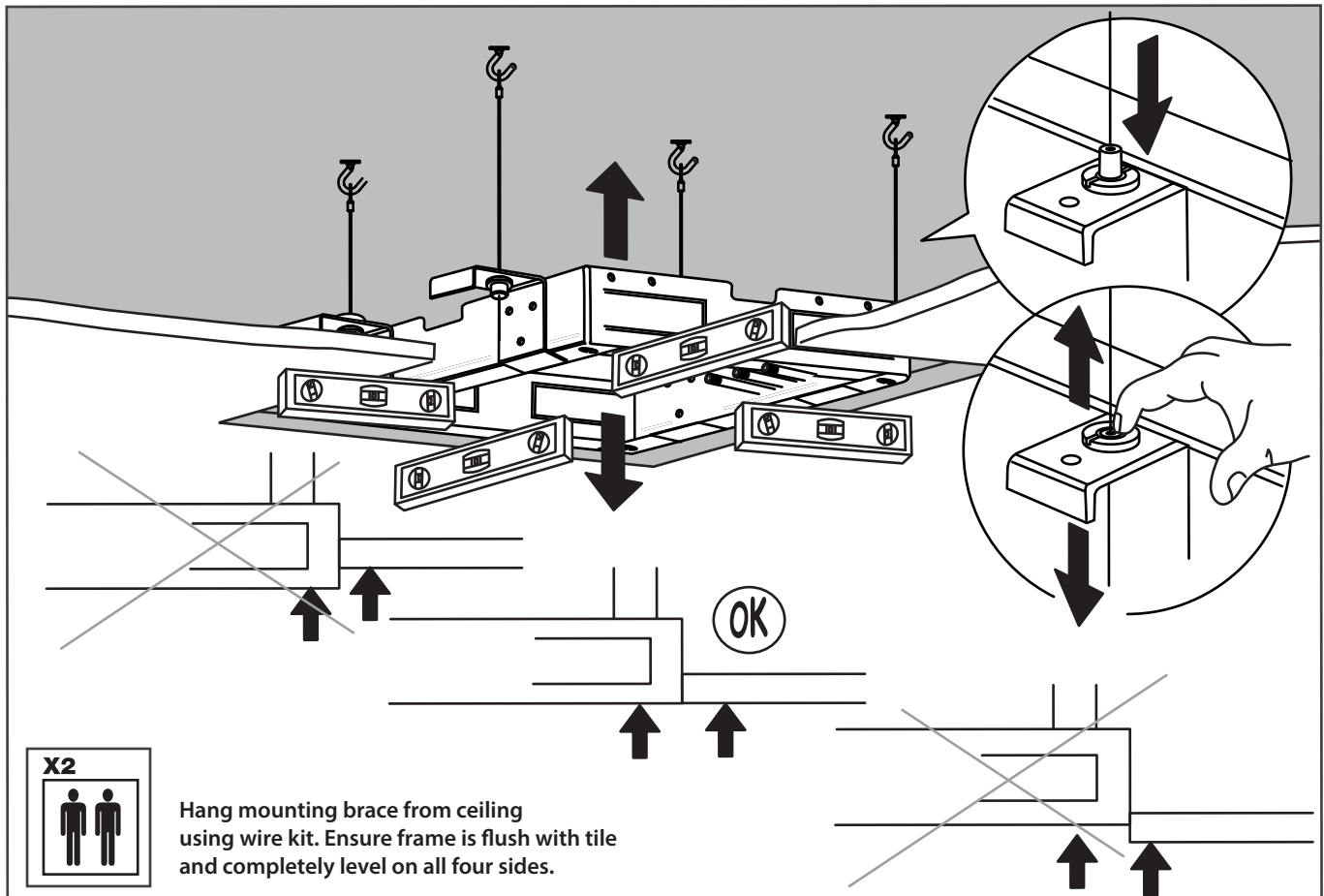
## INSTALLATION INSTRUCTIONS



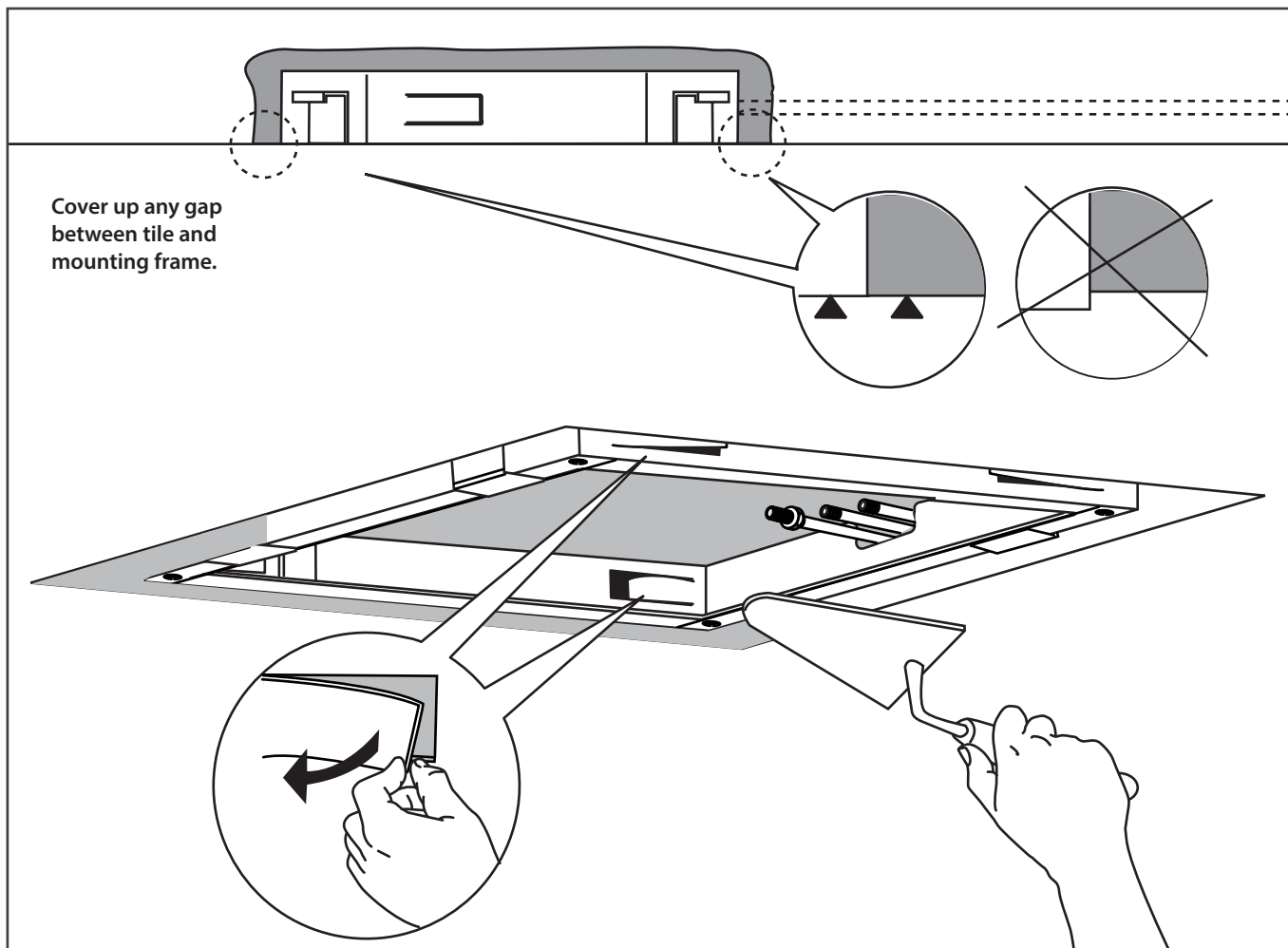
## INSTALLATION INSTRUCTIONS



## INSTALLATION INSTRUCTIONS

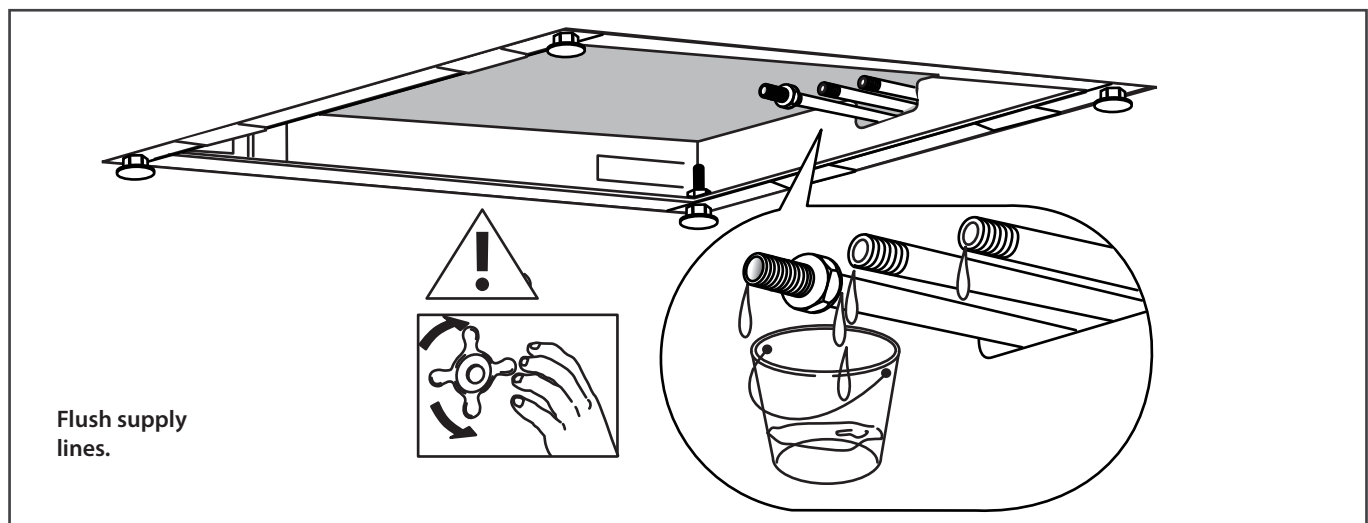
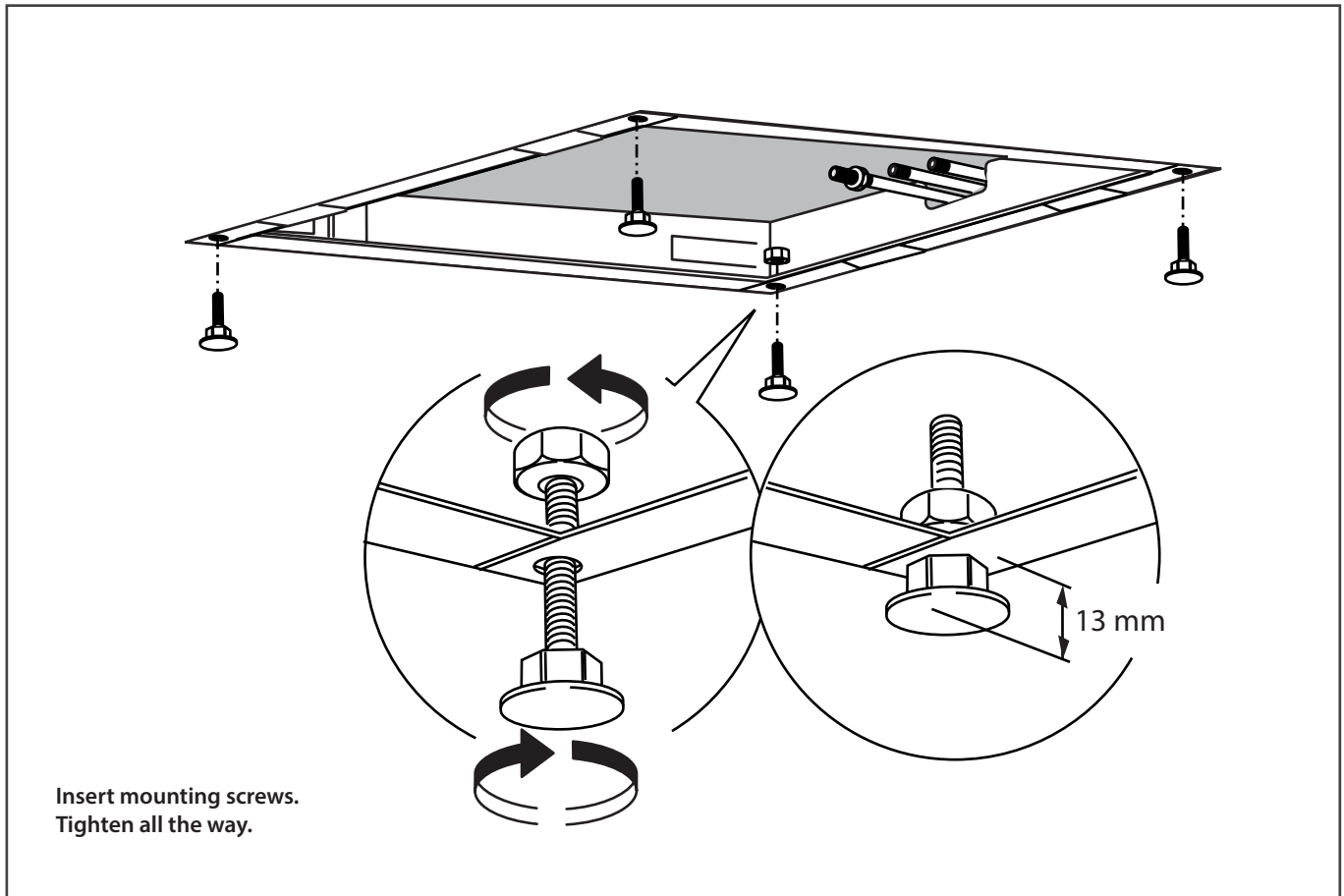


## INSTALLATION INSTRUCTIONS

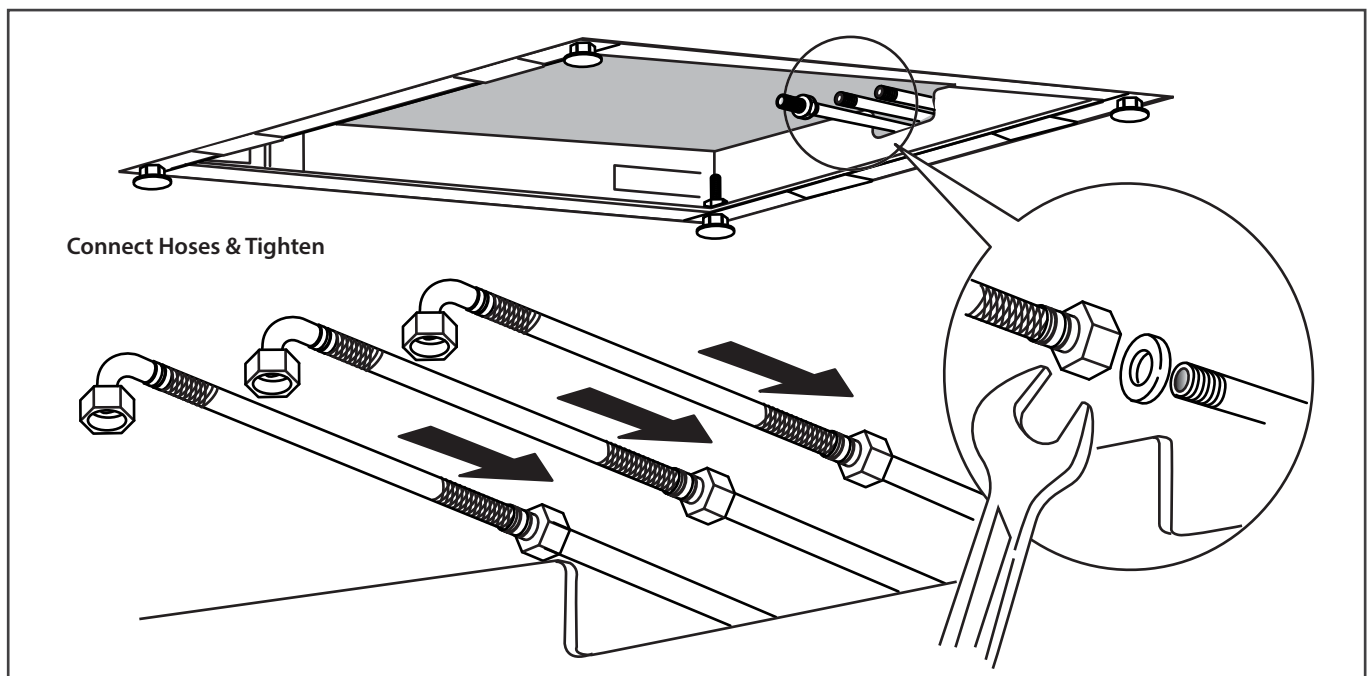
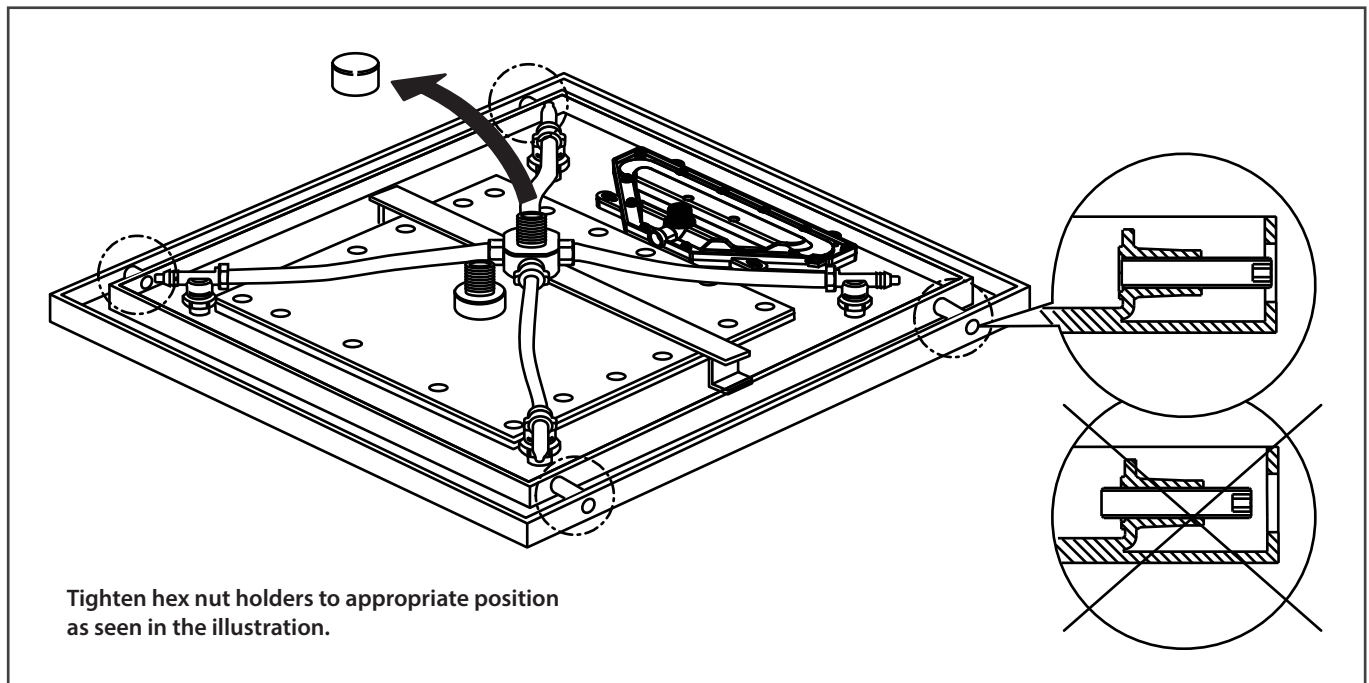




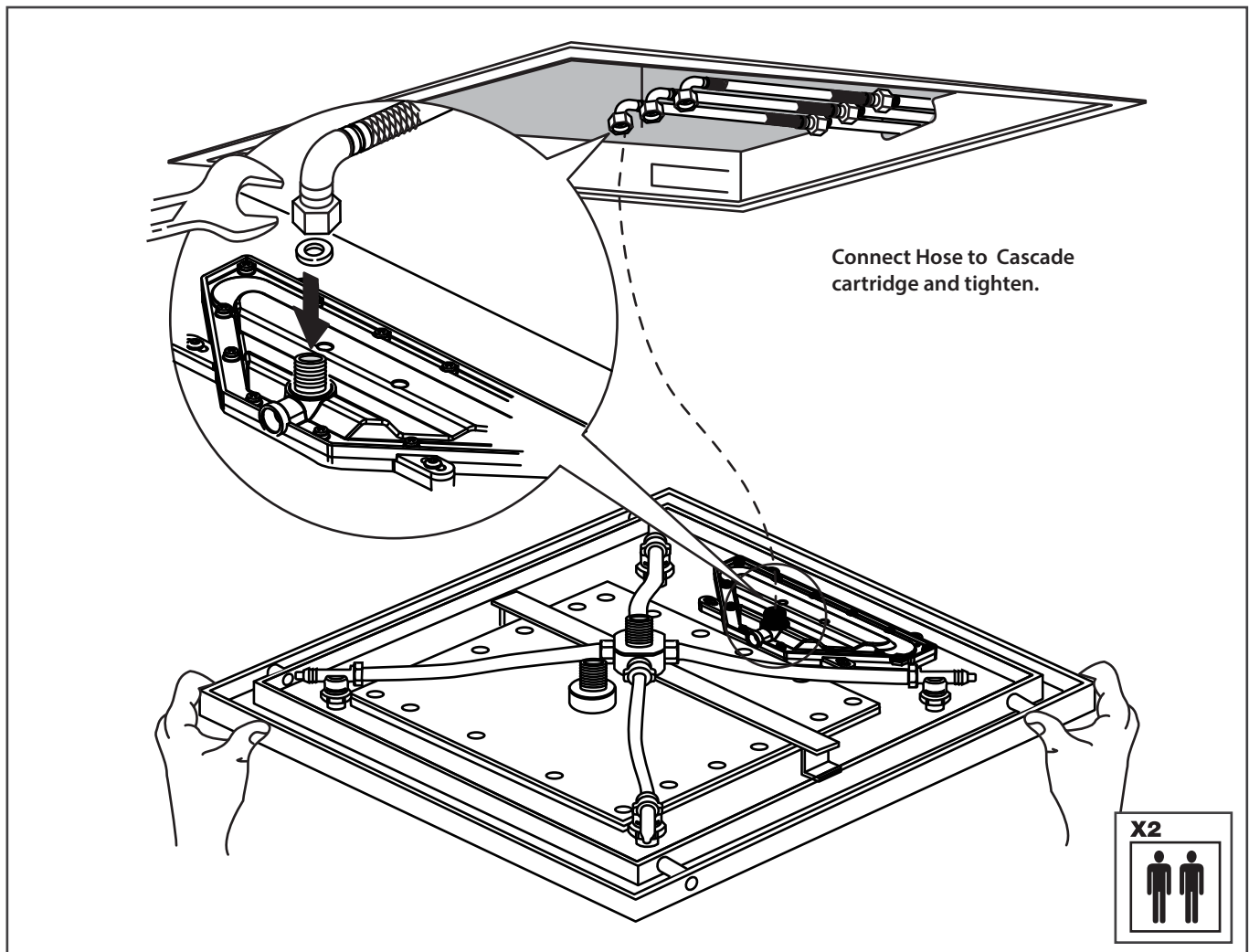
## INSTALLATION INSTRUCTIONS



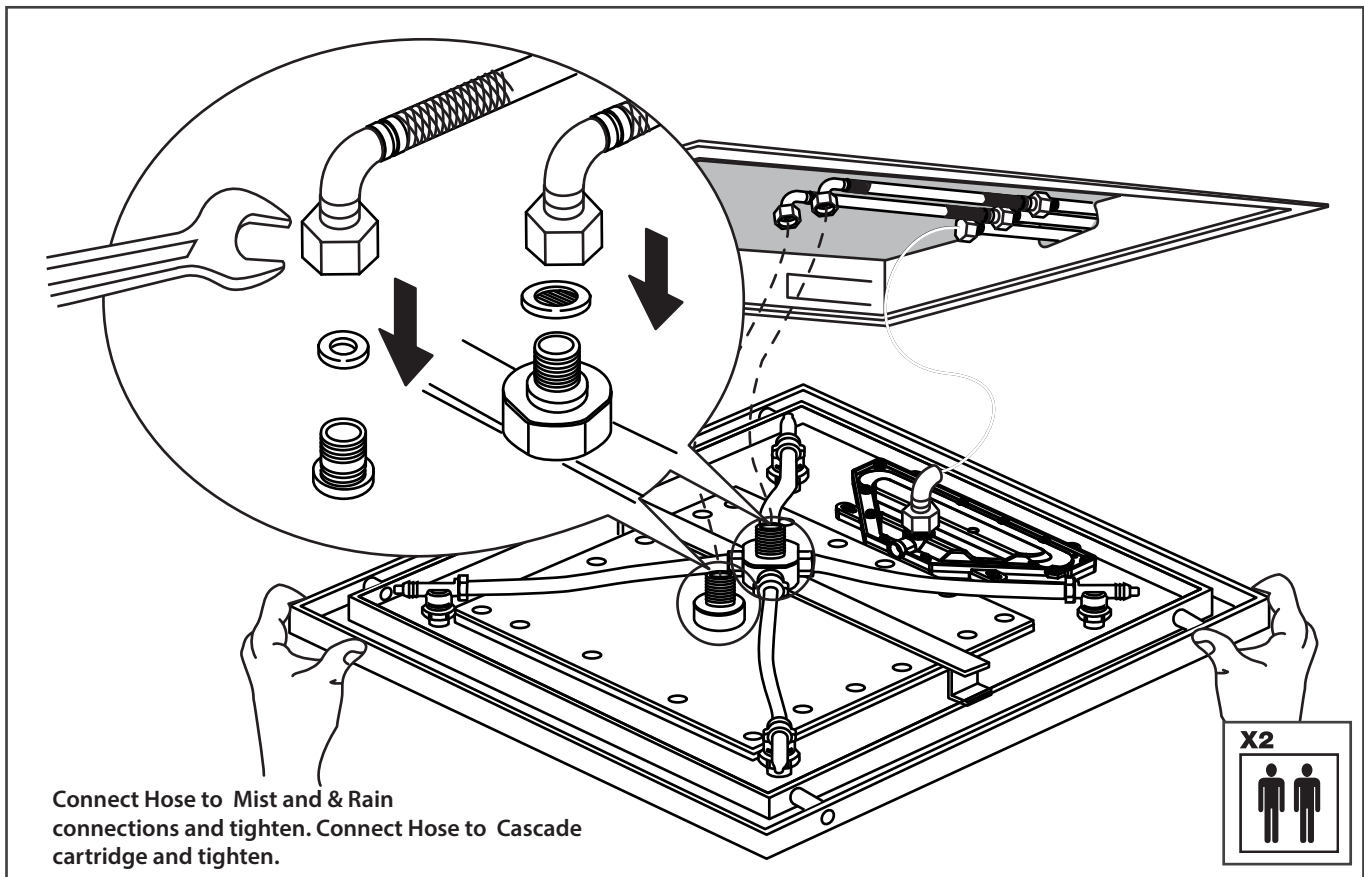
## INSTALLATION INSTRUCTIONS



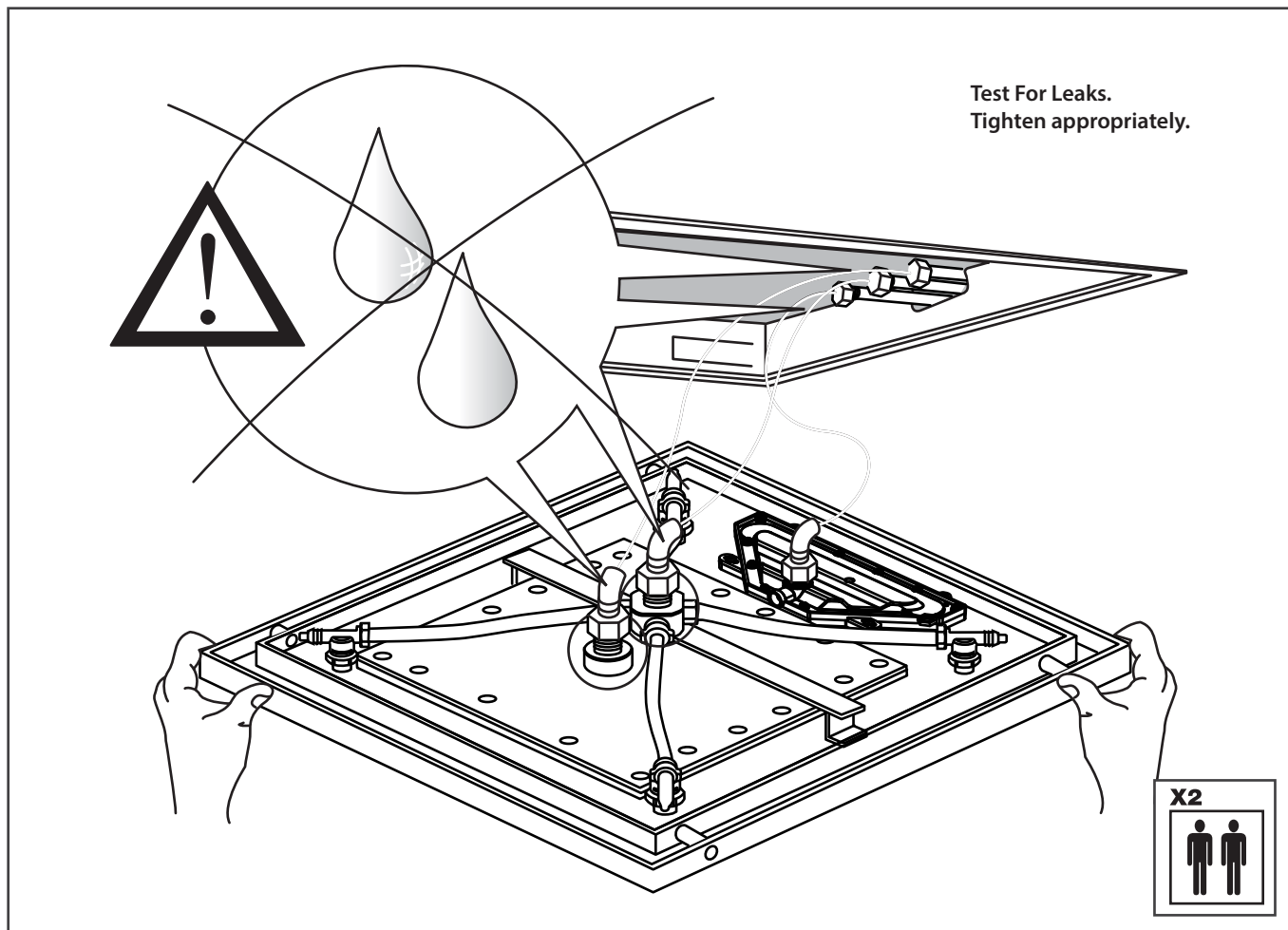
## INSTALLATION INSTRUCTIONS



## INSTALLATION INSTRUCTIONS



## INSTALLATION INSTRUCTIONS



## INSTALLATION INSTRUCTIONS

