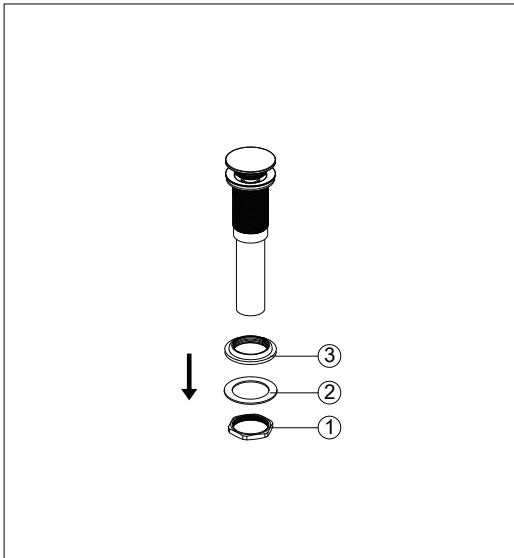
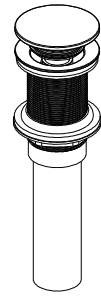
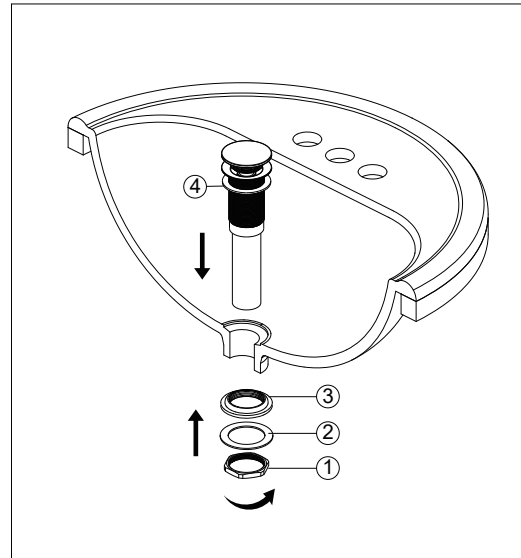


# HS1009 - Pop Up Drain Without Overflow



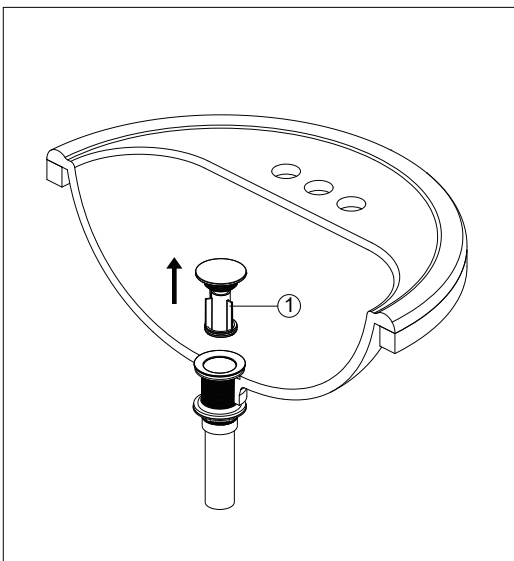
## Step 1

Unscrew the nut (1) and remove the washers (2 & 3).



## Step 2

Place the washer (4) underneath the flange of the pop-up body. Slide the pop-up body down through the drain hole on the vessel or basin. From underside, slide the washer (2 & 3) against the bottom of the vessel or basin, thread on the nut (1) and tighten. Do not overtighten.



## Maintenance

If drainage is slow, pull out the stopper and clean. Then reinstall it.

