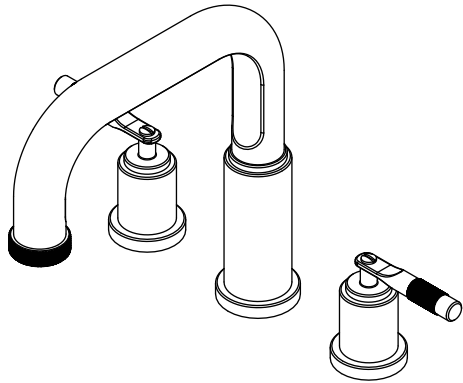


Installation Manual For 250.2410 - Three Hole Roman Tub Faucet



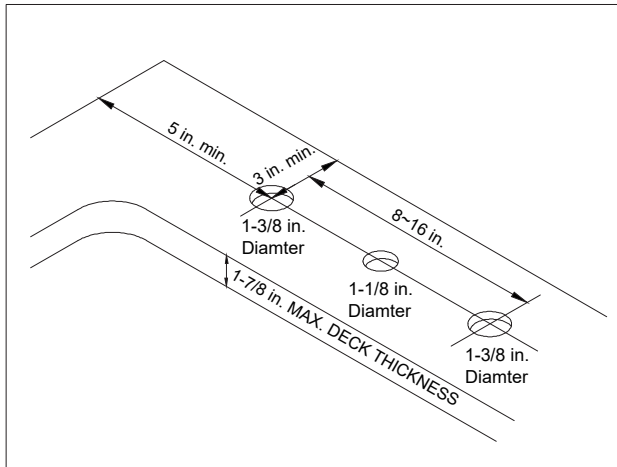
NOTICE TO HOMEOWNER

- We recommend that this product is installed by a qualified professional plumber.
- Please check this product immediately to ensure that it has not been damaged and is complete. Before installation, please make sure this product is the correct model and you have all the parts required for installation and use.
- Please flush the water system to ensure that no metal swarf, solder, and other impurities can enter the product.
- Turn off water supply before commencing work.
- Please read these instructions carefully and retain for future reference.

BEFORE YOU BEGIN

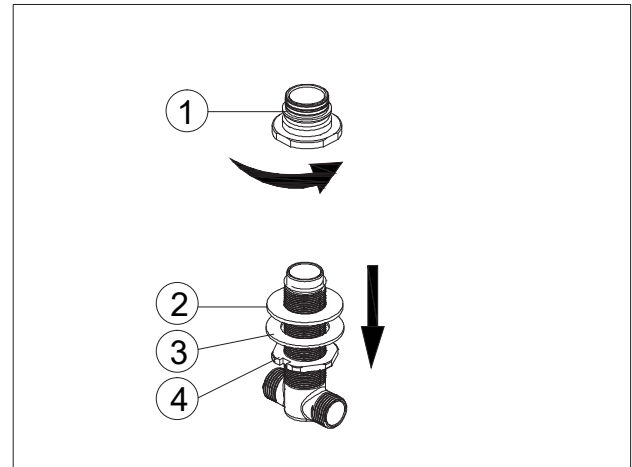
- You must observe all local plumbing laws and codes.
- Do not install this product if it does not meet plumbing codes.
- Shut off the main water supply.

INSTALLING THE THREE HOLE ROMAN TUB FAUCET



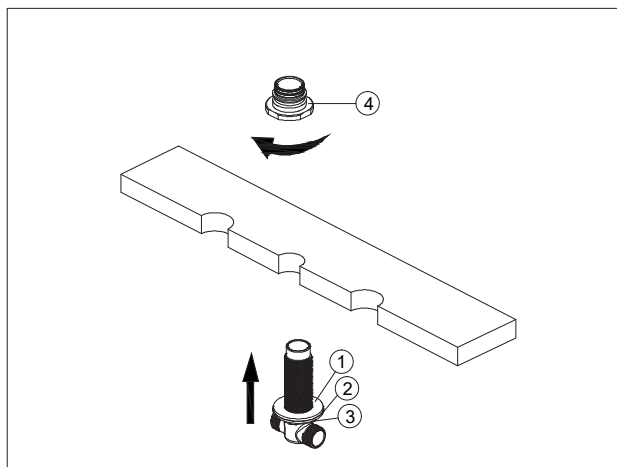
Step 1

Shut off the water supply. Remove the old faucet.
Drill holes in the finished deck as shown in the diagram below.
NOTE: This kit allows up to 1-7/8 in. deck thickness.



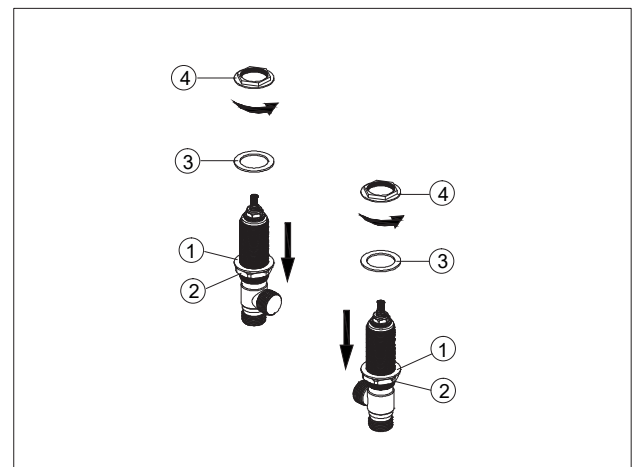
Step 2

Loosen the connector (1) from the middle body. Adjust the rubber washer (2), metal washer (3) and mounting nut (4) to the bottom of middle body.



Step 3

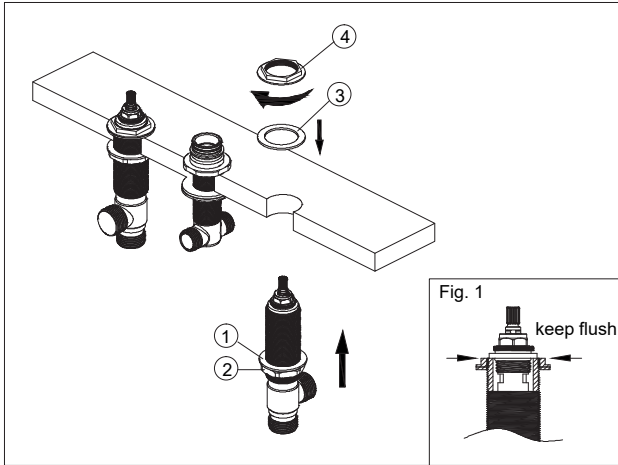
From underneath the deck, insert the middle body with the rubber washer (1), metal washer (2) and mounting nut (3) through the mounting hole. From above, thread the connector (4) onto middle body. Tighten the mounting nut (3), so that the connector (4) sits flush against the finished deck surface.



Step 4

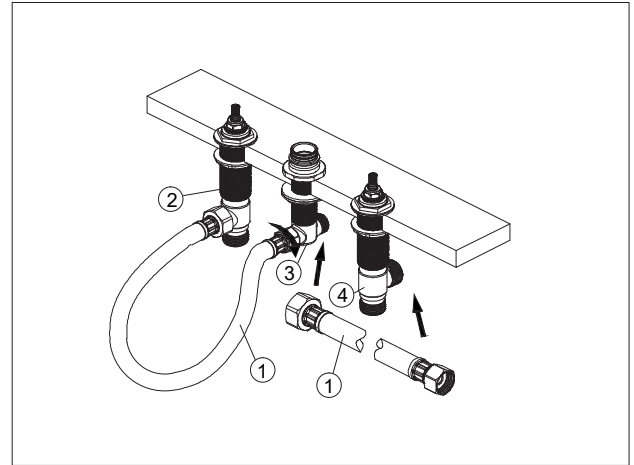
Loosen the flanges (4) and washer (3) from the valve bodies. Adjust the washer (1) and mounting nuts (2) to the bottom of valve bodies.

INSTALLING THE THREE HOLE ROMAN TUB FAUCET



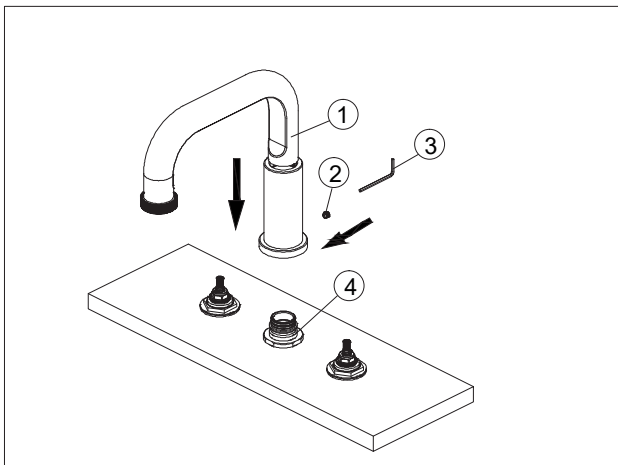
Step 5

From underneath the deck, insert the valve body with the washer (1) and mounting nut (2) through hole on the right (cold) side. From above, thread the washer (3) and flange (4) onto valve body. Lock the flange (4) to be flush with the top face of the body, as shown in Fig. 1, then tighten the mounting nut (2) using a basin wrench. Repeat this procedure for the hot end valve on the left (hot) side. Note: Hot side end valve is red labeled.



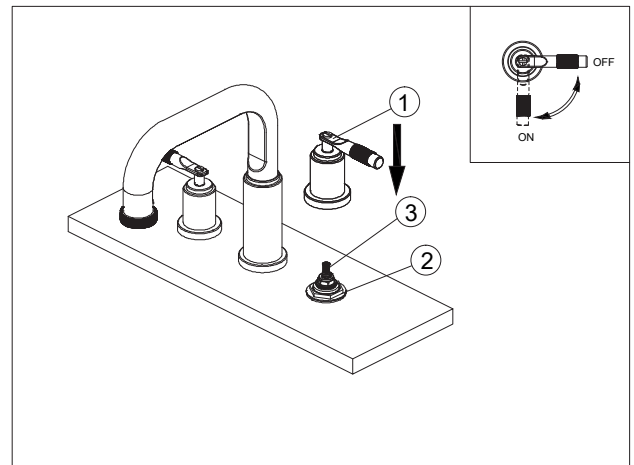
Step 6

Connect the hoses (1) to the bottom of the hot and cold end valves (2 & 4), as shown. Align the middle body (3) in a position that will allow maximum clearance to connect the hoses (1). Carefully bend the hoses (1) to fit in the available space, and carefully thread the hose (1) couplings onto the sides of the middle body (3). Tighten all connections with a wrench.



Step 7

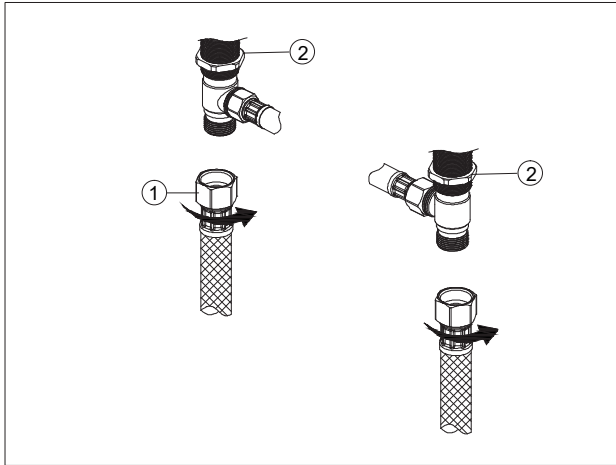
Install the spout assembly (1) onto the connector (4). Be sure the spout assembly (1) is resting firmly on the deck. Push down on spout assembly (1) and tighten set screw (2) with the Hex wrench (Hex: 3.2mm, 3).



Step 8

Place the handle assembly (1) onto the cartridge stem (3). Place the other handle onto the left (hot) valve and install the same way. Note: With the Cartridge in the "Off" position, align Handle to desired "Off" position, and engage the splines of the Valve Cartridge into the Handle Assembly.

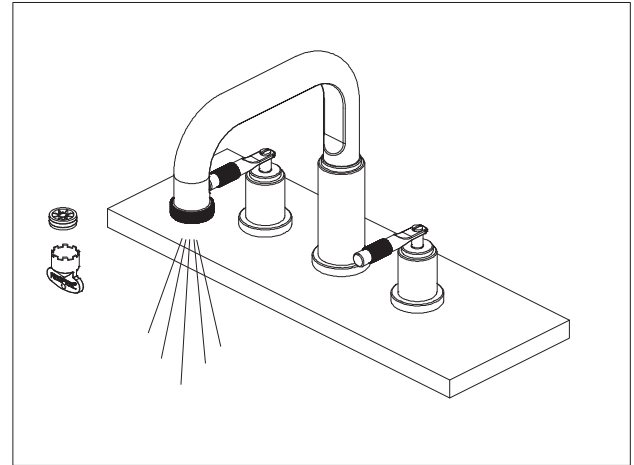
INSTALLING THE THREE HOLE ROMAN TUB FAUCET



Step 9

Connect a 1/2 in. IPS faucet connector (not included) to the water supplies underneath the deck using wrenches (not included).

NOTE: Refer to the local plumbing codes for permissible types of water supply connectors.



Step 10

Ensure the faucet handles are in the off position, and turn on the water supply and check for leaks. If you discover any leaks, check your connections to ensure they are installed properly. Turn on the hot and cold handles to allow the water to run for at least one minute.

This flushes away any debris that could cause damage to internal parts. Turn off the water.