



# Installation Manual

## 250.1170

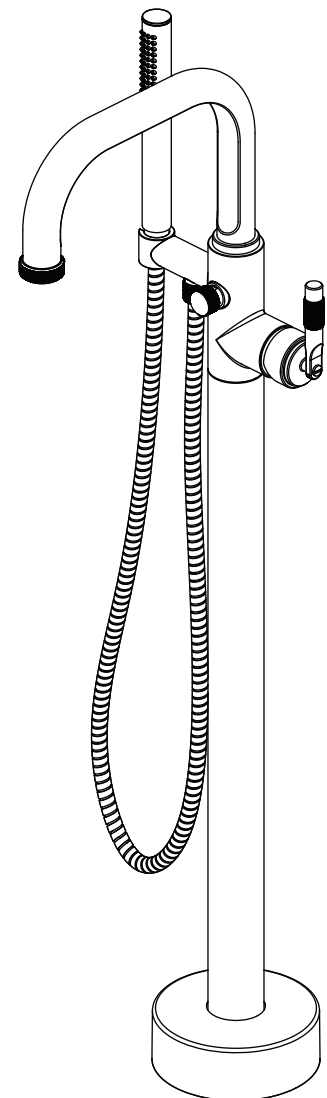
### Floor Mounted Tub Filler With Hand Shower

#### NOTICE TO HOMEOWNER

- We recommend that this product is installed by a qualified professional plumber.
- Please check this product immediately to ensure that it has not been damaged and is complete. Before installation, please make sure this product is the correct model and you have all the parts required for installation and use.
- Please flush the water system to ensure that no metal swarf, solder, and other impurities can enter the product.
- Turn off water supply before commencing work.
- Please read these instructions carefully and retain for future reference.

#### BEFORE YOU BEGIN

- You must observe all local plumbing laws and codes.
- Do not install this valve if it does not meet local plumbing codes.
- Shut off the main water supply.





# Installation Manual

## 250.1170

### Floor Mounted Tub Filler With Hand Shower

## OPERATING SPECIFICATIONS

### WATER TEMPERATURE



This product is to be used with water at a temperature range of 40°F - 120°F ONLY!

### WATER PRESSURE



This product is to be used with a water pressure range of 15 PSI to 80 PSI ONLY

If water pressure is greater than 80 PSI install a pressure reducing valve (PRV)

This valve meets or exceeds ANSI A112.18.1 and ASSE 1016

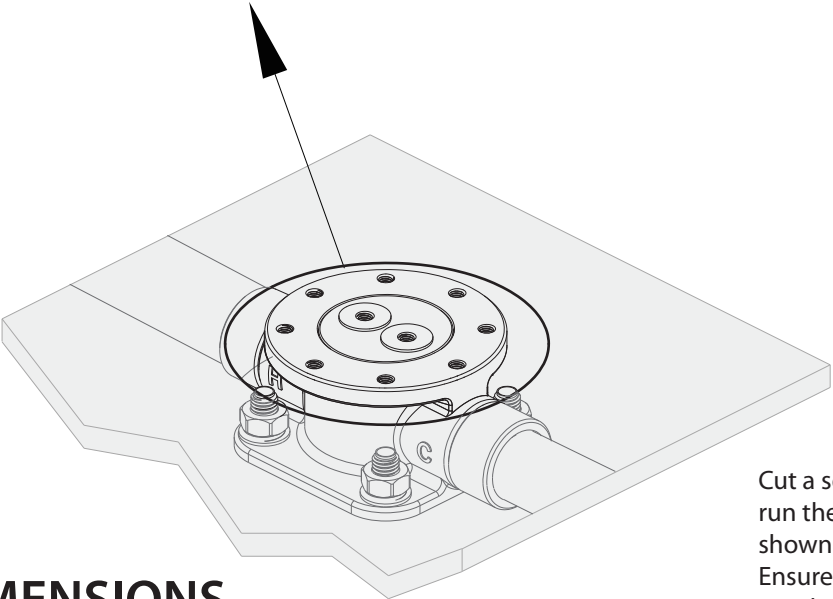
### CAUTION:

- During mounting of this product extra care should be taken while drilling into the floor to avoid damaging any water supply hoses or copper lines that may exist beneath.
- To avoid risk of injury do NOT use the tub filler as a support bar to enter or exit the bath. The tub filler is not designed to support weight
- Supply hose connections should be installed in a location where they are accessible for cleaning and service.

## INSTALLATION PROCEDURE

**1**

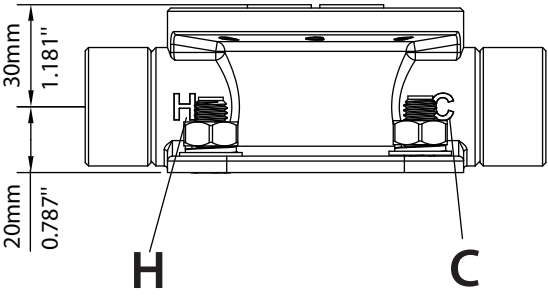
100mm to 120mm



**CUT OUT DIMENSIONS**

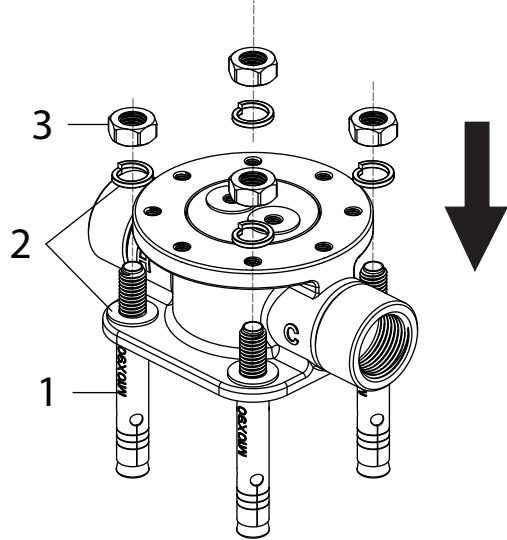
Cut a section of floor to run the plumbing as shown in the diagram. Ensure that the cut out is not accidentally bigger than the size of the escutcheon plate

**2**



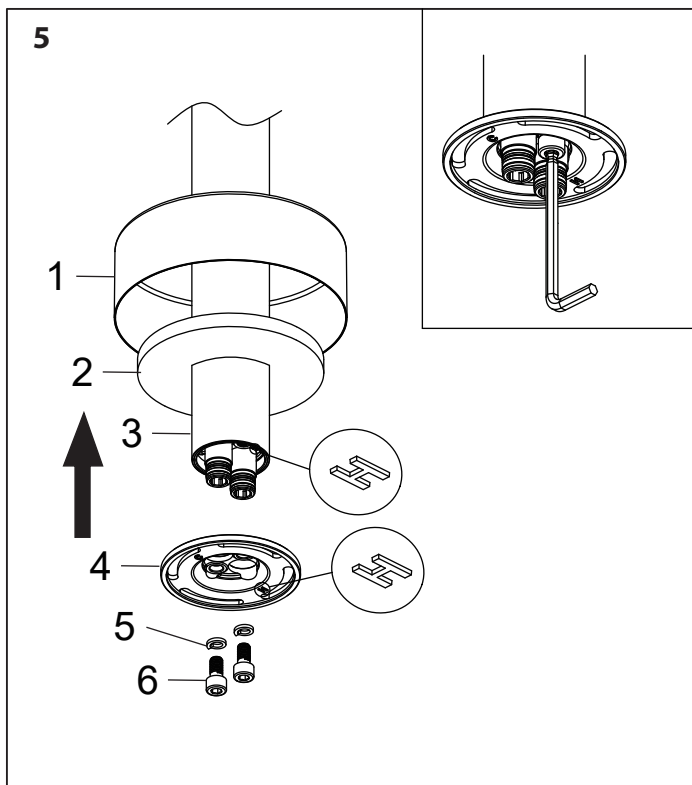
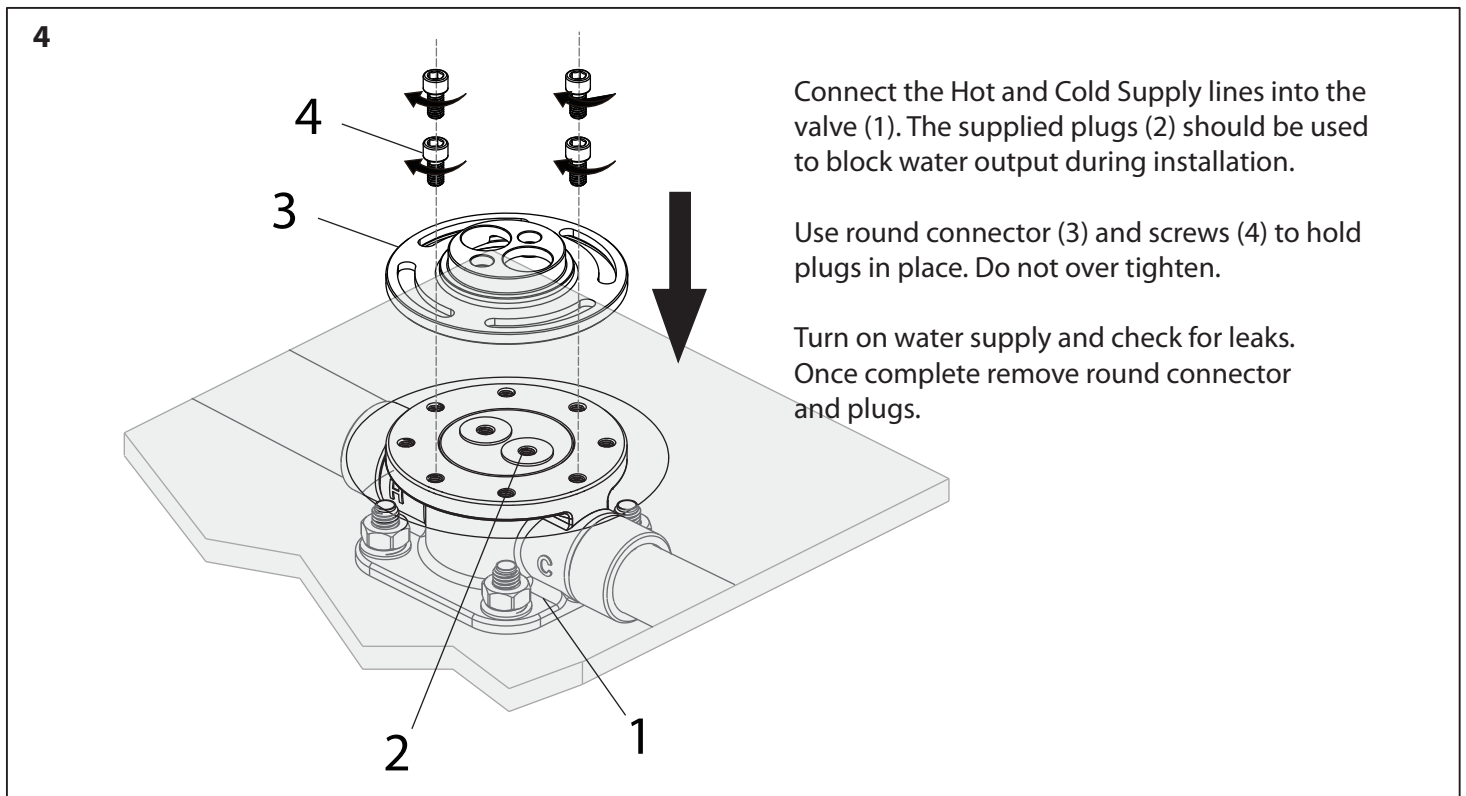
The distance between the center point of the valve inlet (hot, cold) to the floor and top of the valve is shown above. Level the valve before securing to the floor. The connections for Hot & Cold water supply lines are shown in the diagram

**3**



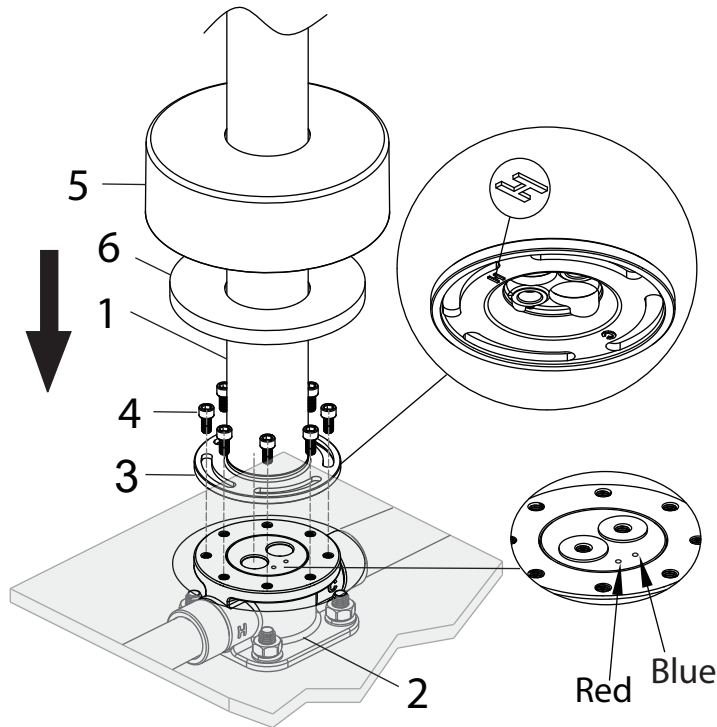
Mark holes for floor bolt installation. Install valve using bolts (1). Secure head bolts with washers (2) and nuts (3). Ensure valve is perfectly level.

## INSTALLATION PROCEDURE



## INSTALLATION PROCEDURE

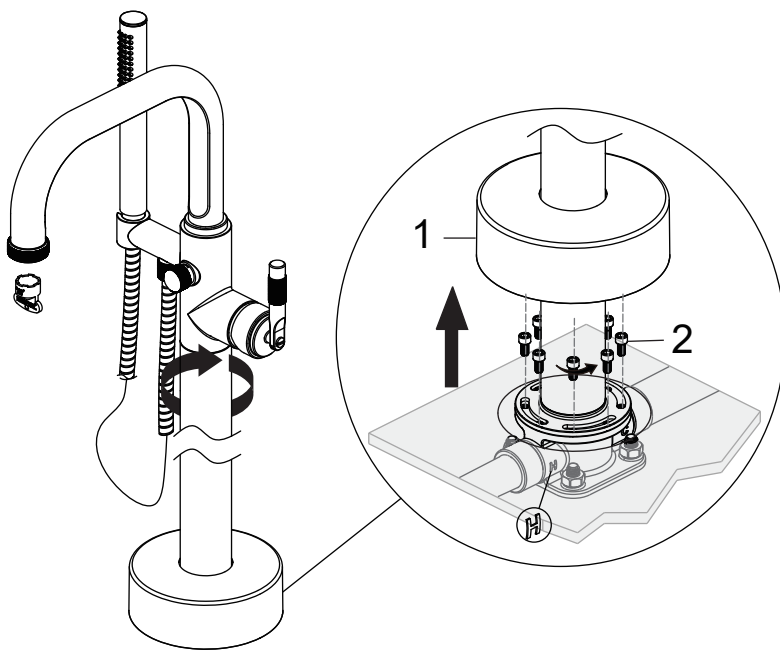
6



Insert trim (1) onto the valve (2). Secure the trim (1) to the valve (2) using screws (4). Tighten screws with wrench provided. Then push round cover (5) and washer (6) to the base.

**Note:** Ensure all screws are tight.

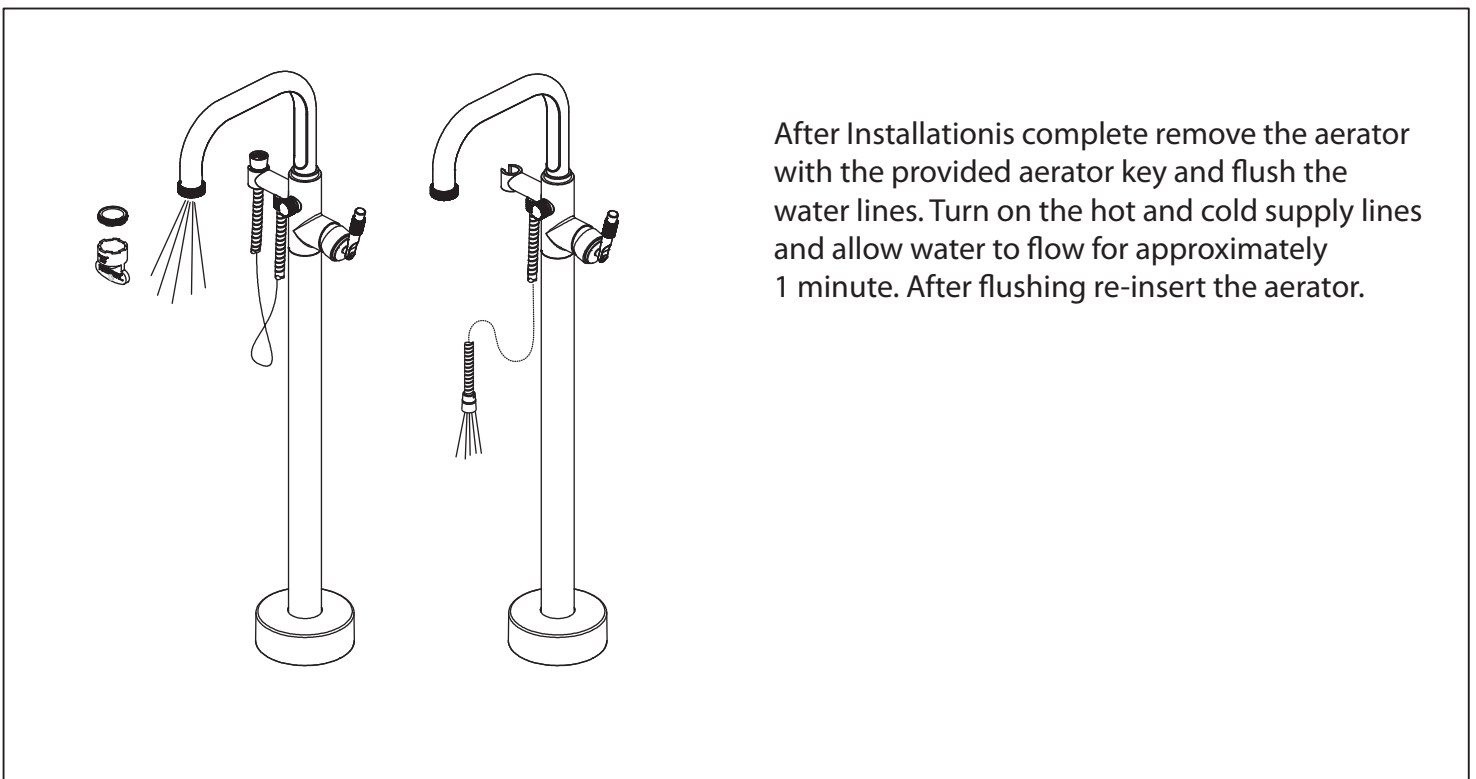
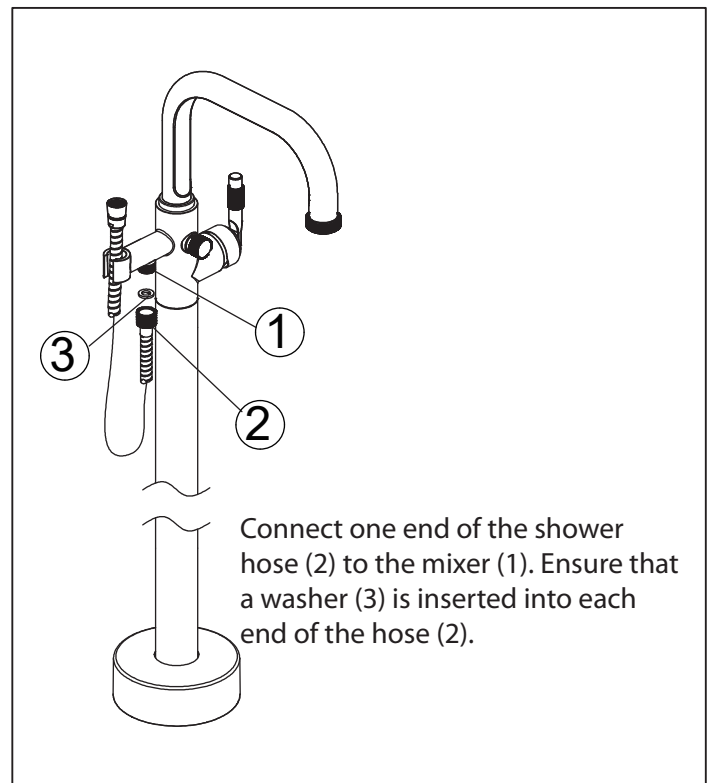
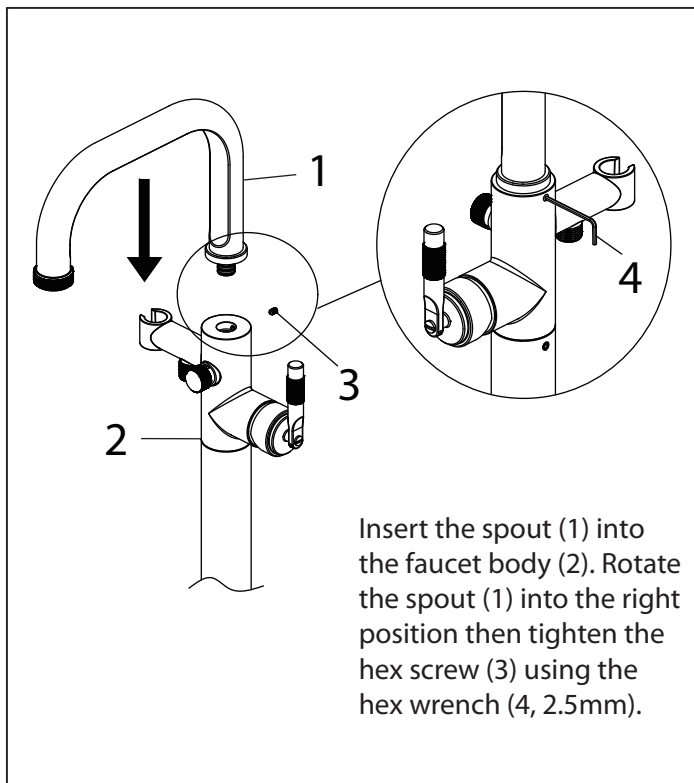
7

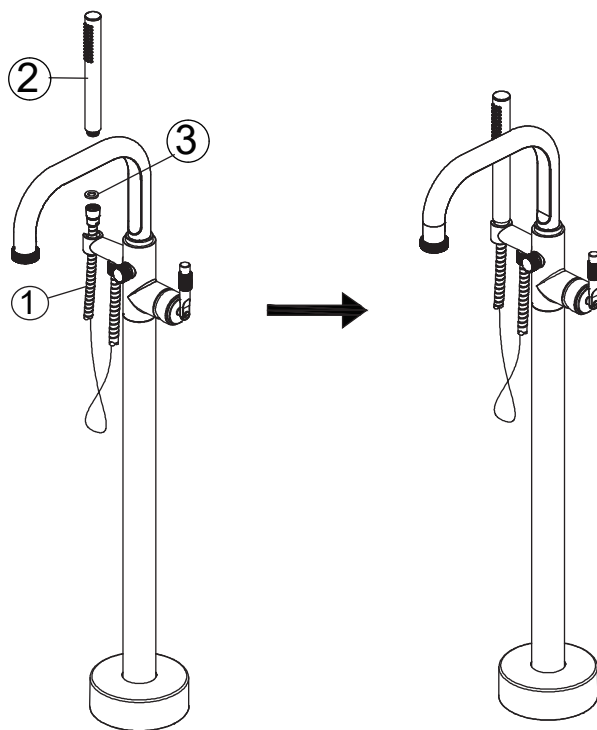


### 360° Rotation

The trim piece can be rotated 360 degrees. If after installation the trim orientation is not what you want, it can be changed by rotating the trim. It is necessary to remove the round cover (1) and loosen the screws (2) before turning the trim.

## PROPER OPERATION





Connect the shower hose (1) to the hand held (2). Ensure that the washer (3) is inserted into the end of the shower hose (1).