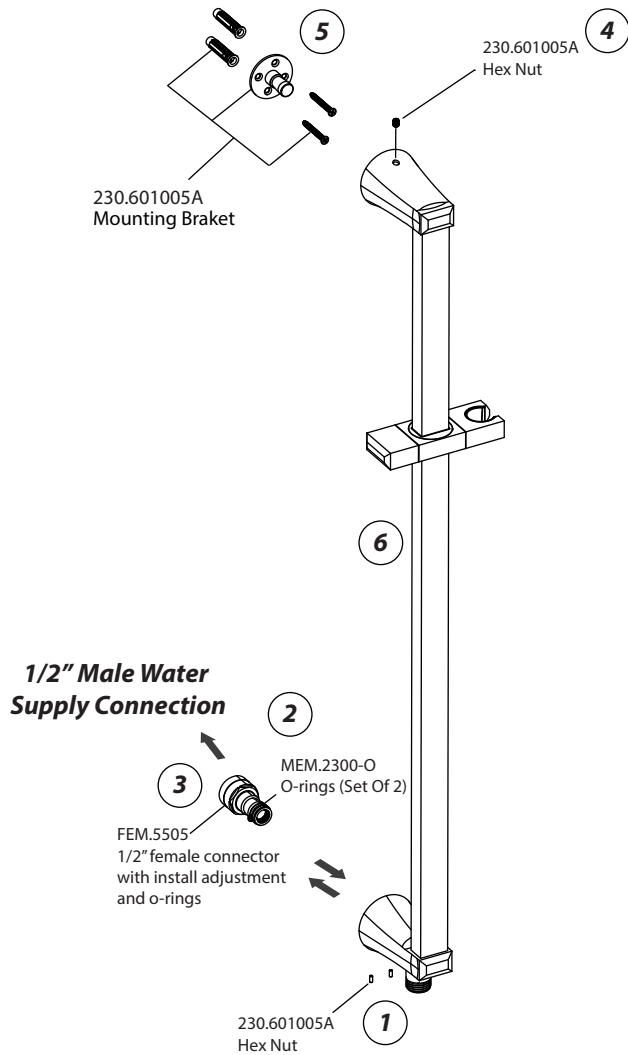


230.601005A - Brass slide bar with 1/2" Wall Supply Elbow With Adjustable Slide On Installation

Installation Manual



1. Loosen & remove two hex screws using 1.5mm Allen key .

Then slide the bar out and separate from FEM.5505

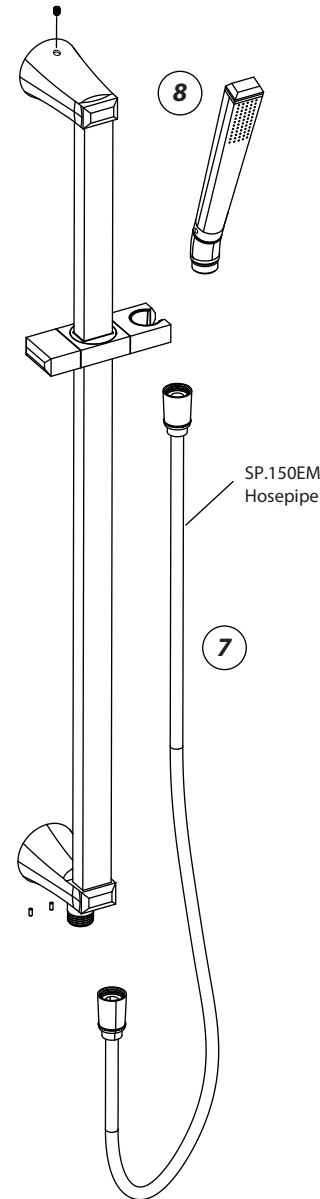
2. Ensure O-rings are not damaged on FEM.5505

3. Ensure the FEM.5505 is secured into the male 1/2" wall supply connection.

4. Loosen the hex nut and remove the Mounting Bracket.

5. Install mounting bracket into the wall at the right location using the screws provided.

6. Insert the slide bar and tighten all hex screws



7. Tighten hose into the bottom 1/2" elbow outlet connection

8. Tighten the hand held shower into the other end of the hose and insert into the holder.

isenberg
innovation+design

230.601005A

Ver 2.53