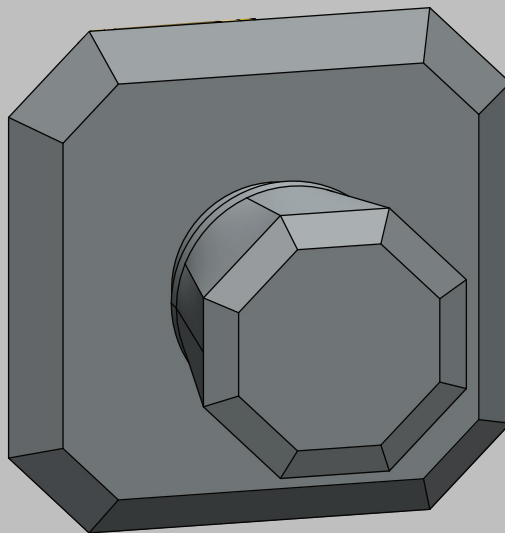




Installation Manual - 230.4511T

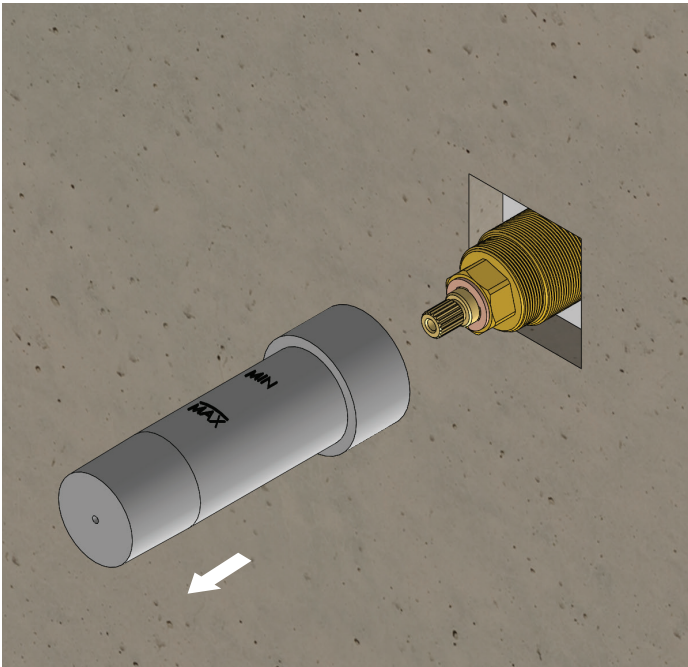
3/4" Volume Control / Diverter Trim



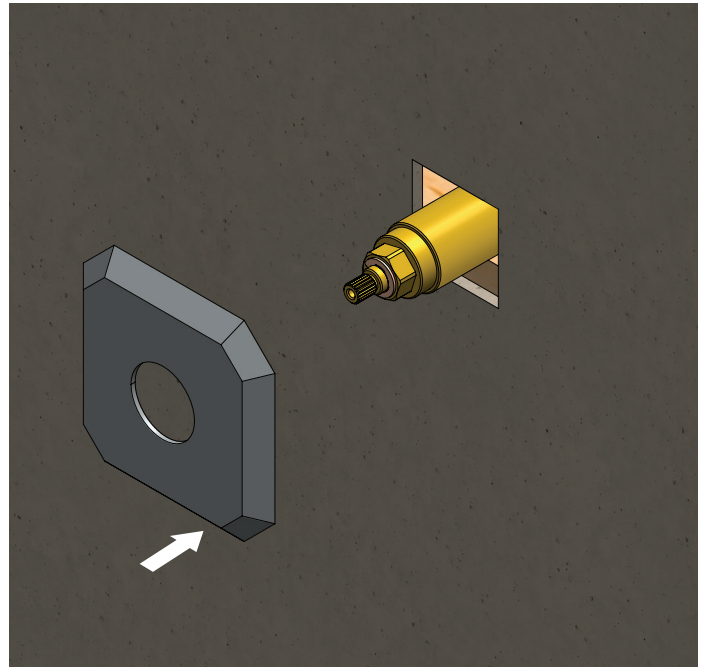
BEFORE YOU BEGIN

- You must observe all local plumbing laws and codes.
- Do not install this valve if it does not meet local plumbing codes.
- Shut off the main water supply.

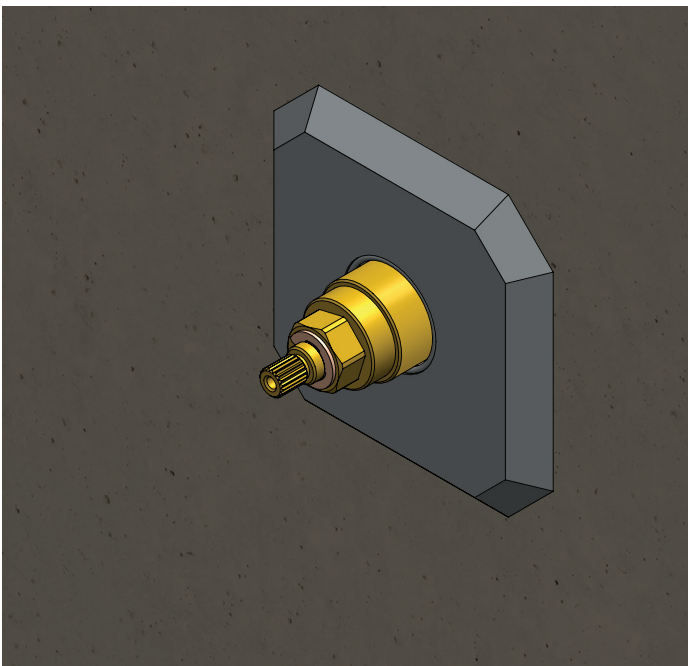
INSTALLING THE TRIM - TRIM PLATE SIZE AND SHAPE MAY VARY - ILLUSTRATION ONLY



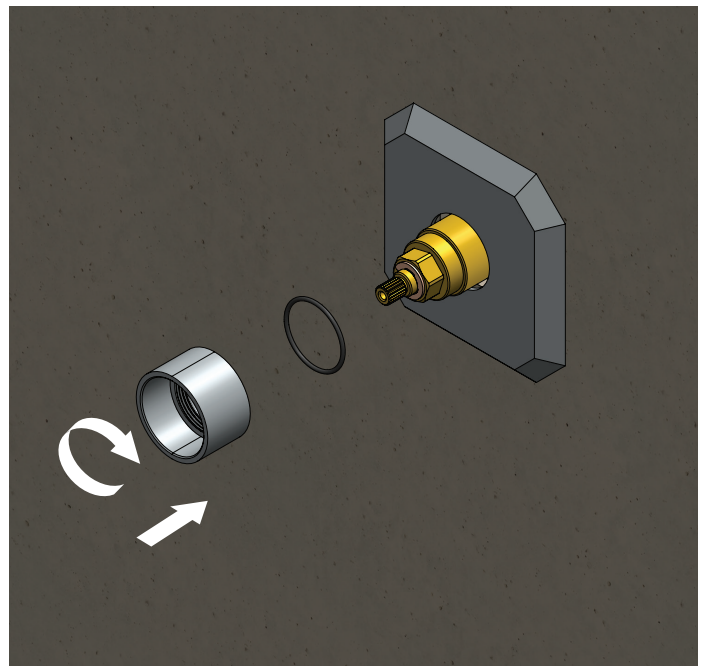
Remove mud guards



Insert trim plate

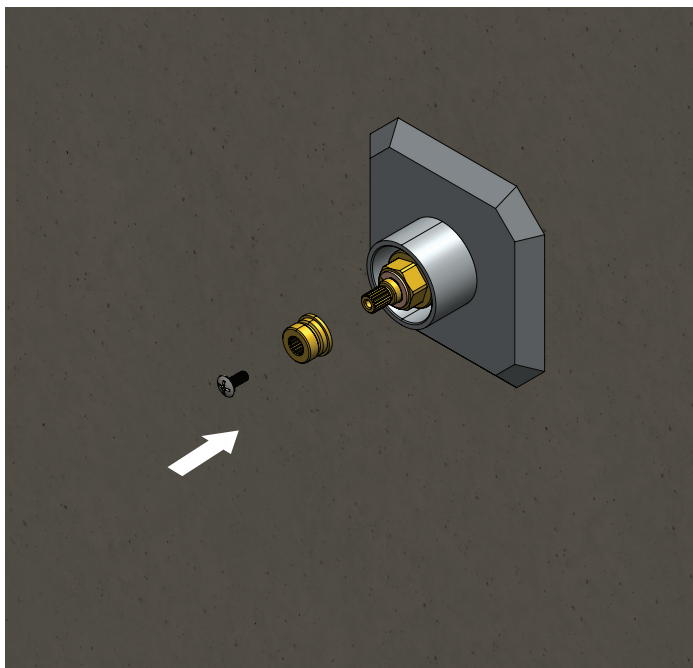


Align Trim plate till it is straight

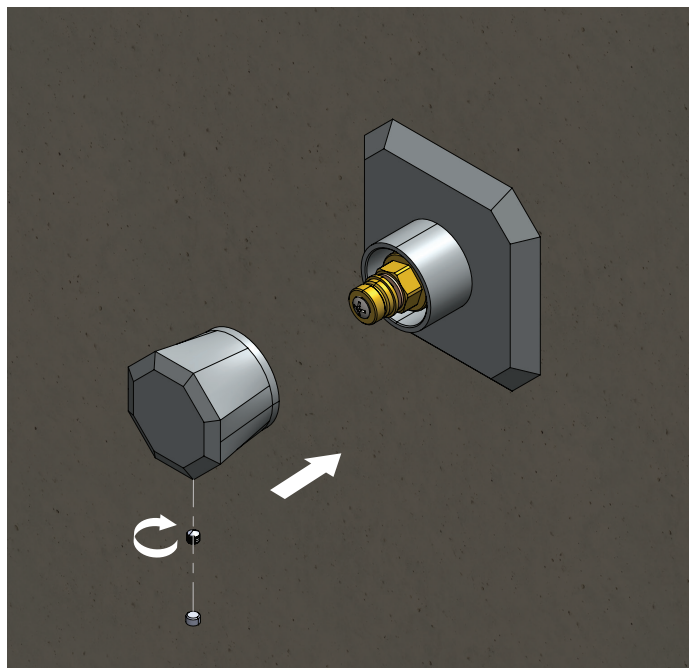


Insert adaptor base and tighten

INSTALLING THE TRIM - TRIM PLATE SIZE AND SHAPE MAY VARY - ILLUSTRATION ONLY



Insert centering knob & screws



Insert handle. Tighten hex screw & insert cover button.