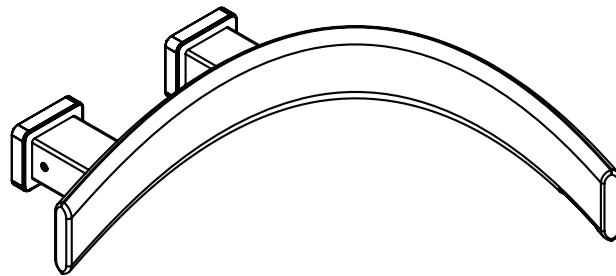


CU.2300R Wall Mount Spout



NOTICE TO HOMEOWNER

- We recommend that this product is installed by a qualified professional plumber.
- Please check this product immediately to ensure that it has not been damaged and is complete. Before installation, please make sure this product is the correct model and you have all the parts required for installation and use.
- Please flush the water system to ensure that no metal swarf, solder, and other impurities can enter the product.
- Turn off water supply before commencing work.
- Please read these instructions carefully and retain for future reference.

WATER TEMPERATURE



This product is to be used with water at a temperature range of 40°F - 120°F ONLY!

WATER PRESSURE

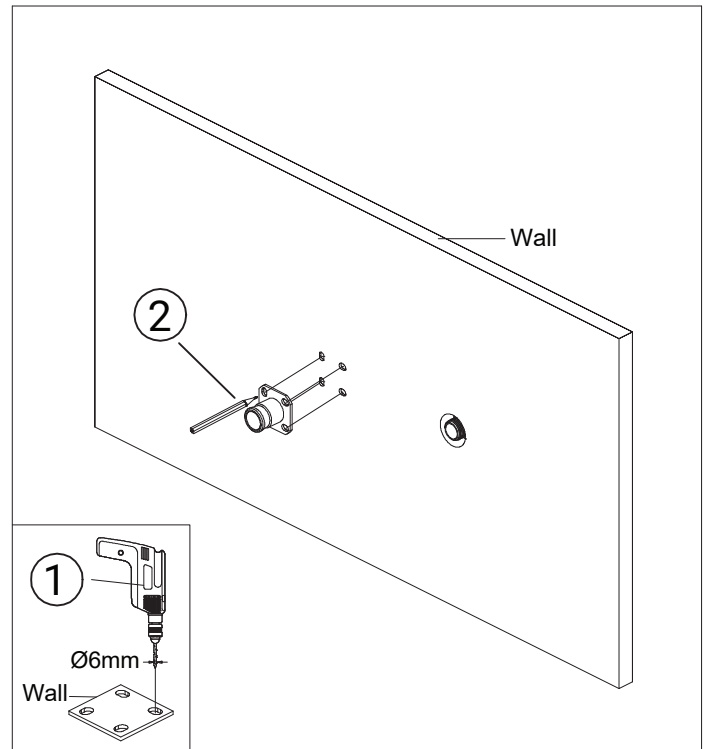
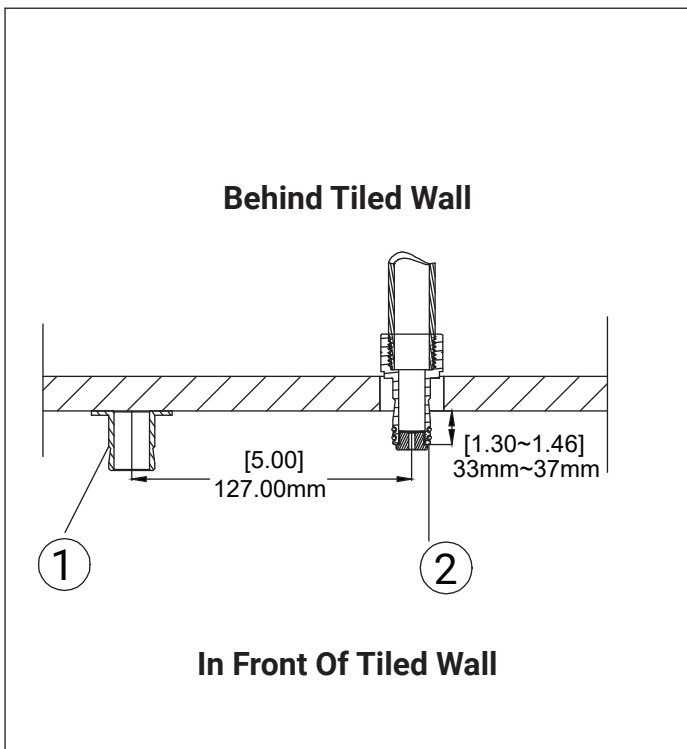


This product is to be used with a water pressure range of 15 PSI to 80 PSI ONLY

If water pressure is greater than 80 PSI install a pressure reducing valve (PRV)

BEFORE YOU BEGIN

- You must observe all local plumbing laws and codes.
- Do not install this valve if it does not meet local plumbing codes.
- Shut off the main water supply.



Step 1

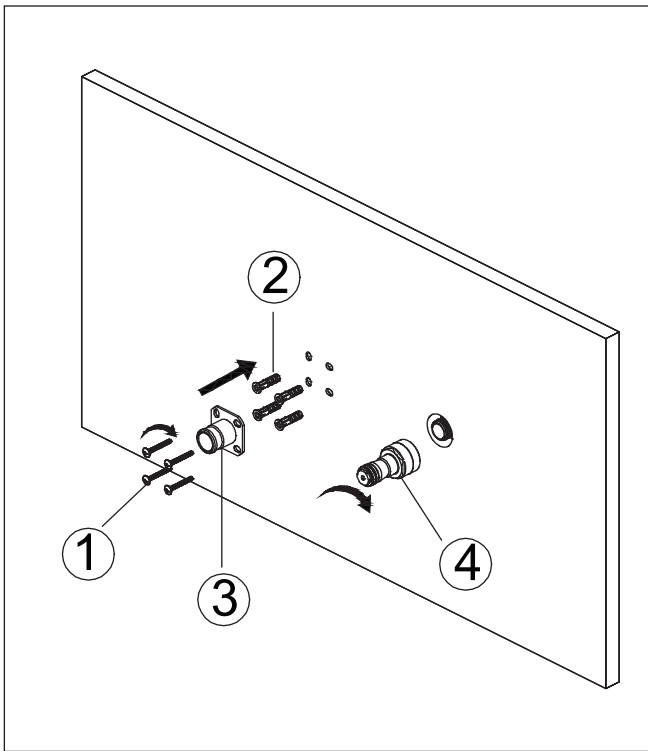
Before installation, please confirm the position of the mounting seat (1) and adapter (2). The adapter exposure to the wall is 33 mm to 37mm.

Note: The center line of mounting seat must be level.

Step 2

Mark the locations for the screws with a pencil (2). Then drill four holes 6mm diameter for the screws in the floor with an electric drill (1).

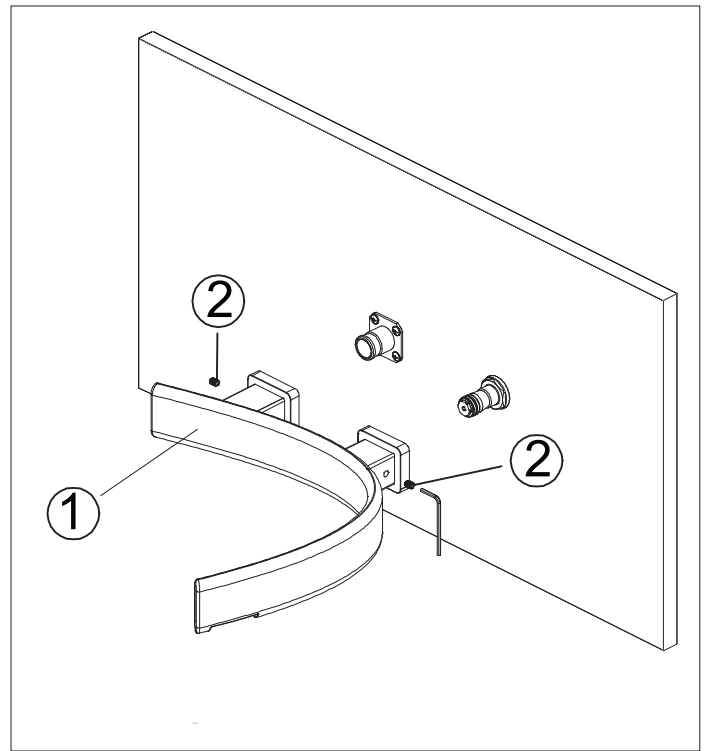
Note: Keep the four holes horizontal to prevent skewing.



Step 3

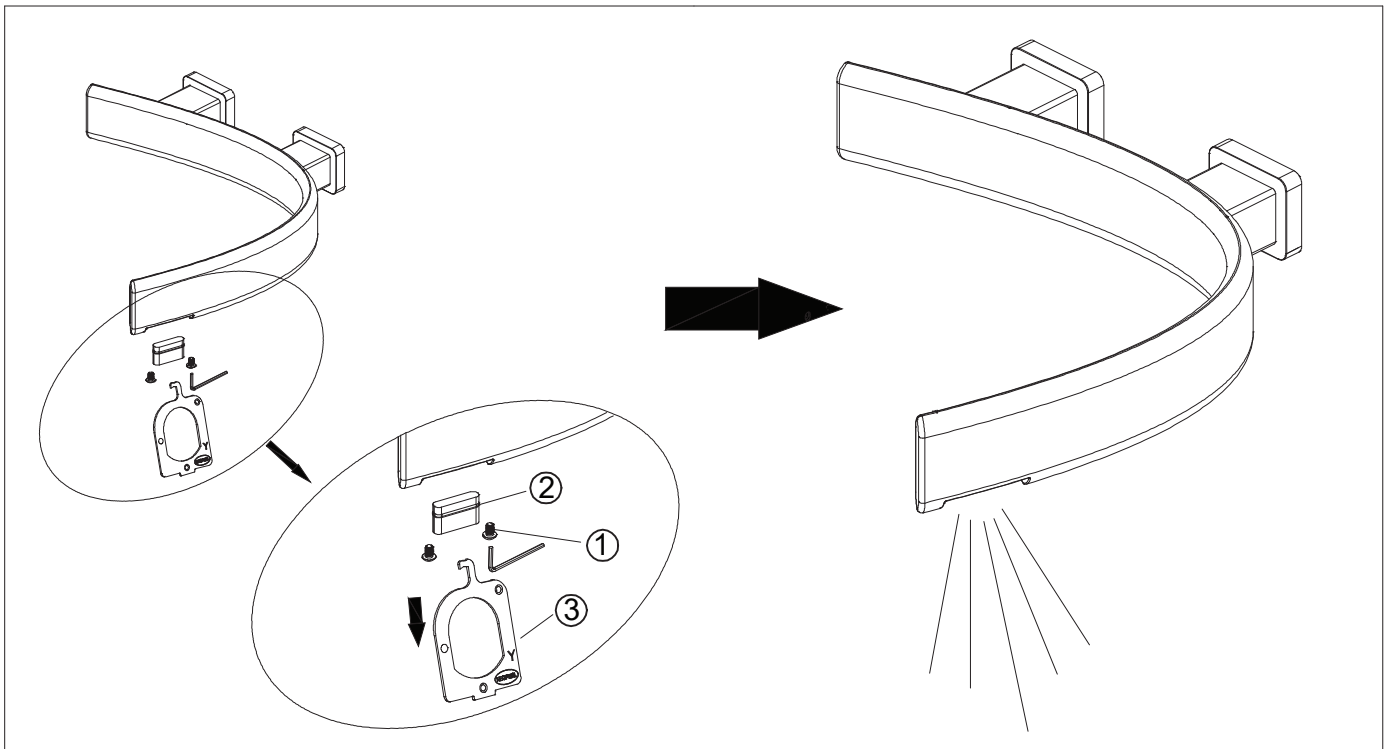
Secure mounting seat (3) using screws (1) and plugs (2). Thread the adapter (4) onto the wall.

Note: Keep the edge of the mounting seat horizontal to prevent skewing.



Step 4

Loosen the screws (2) from the faucet (1) with wrench. Loosen the opposite screws in the same way. From above, install the faucet (1) onto the mounting seat and adapter then retighten the screw.



Step 5

IMPORTANT: After installation is complete, loosen the set screw (1) with phillips screwdriver, then remove aerator (2) with aerator wrench (3) provided to flush the water lines and check for leaks. If you discover any leaks, check your connections to ensure they are installed properly and reinstall the aerator.