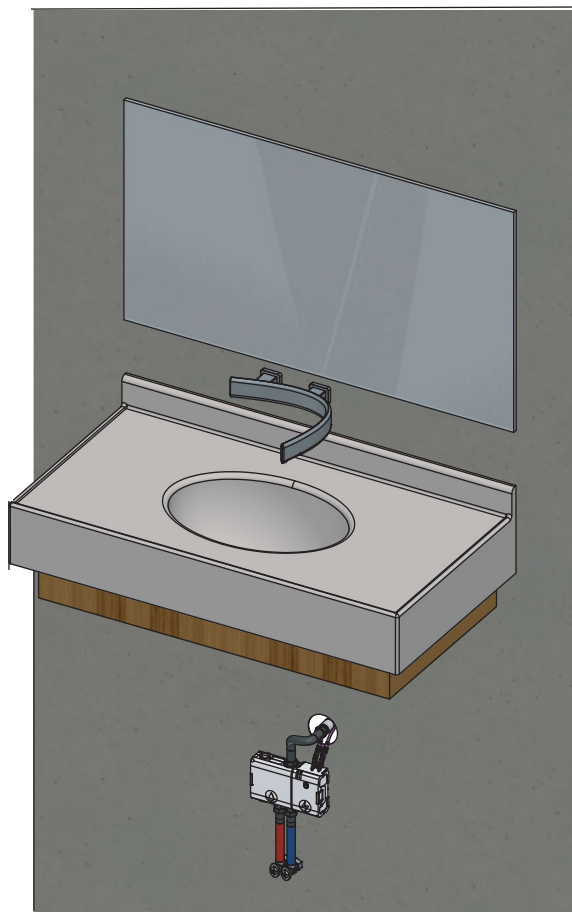


Installation Manual

Wall Mount Curve Faucet with Hands Free Sensor



BEFORE YOU BEGIN

- You must observe all local plumbing laws and codes.
- Do not install this valve if it does not meet local plumbing codes.
- Shut off the main water supply.

OPERATING SPECIFICATIONS

WATER TEMPERATURE



This product is to be used with water at a temperature range of 40°F - 120°F **ONLY!**

WATER PRESSURE

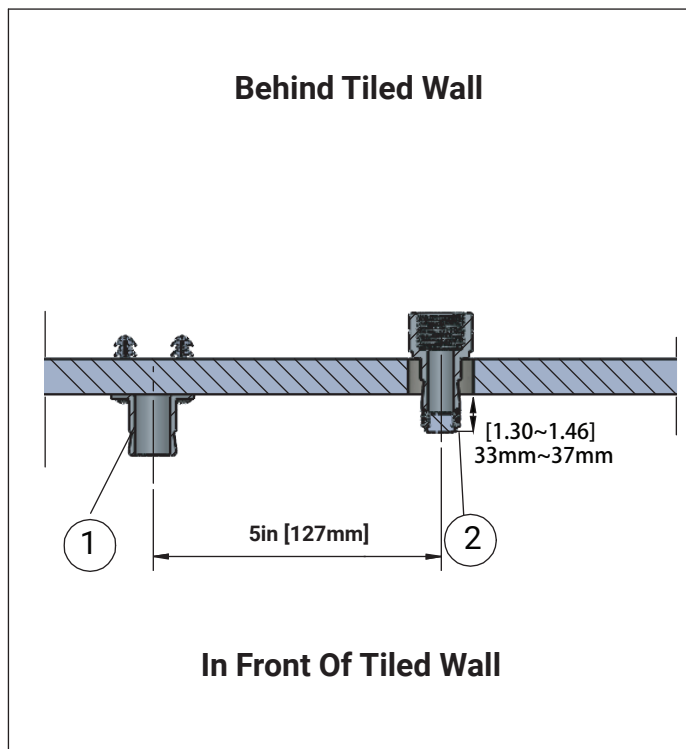


This product is to be used with a water pressure range of 15 PSI to 80 PSI **ONLY**
If water pressure is greater than 80 PSI install a pressure reducing valve (PRV)

NOTICE TO HOMEOWNER

- We recommend that this product is installed by a qualified professional plumber.
- Please check this product immediately to ensure that it has not been damaged and is complete. Before installation, please make sure this product is the correct model and you have all the parts required for installation and use.
- Please flush the water system to ensure that no metal swarf, solder, and other impurities can enter the product.
- Turn off water supply before commencing work.
- Please read these instructions carefully and retain for future reference.

ROUGH IN SPECIFICATION

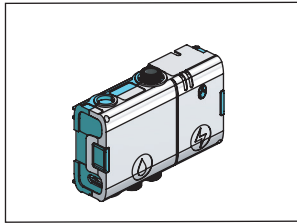


Before installation, please confirm the position of the mounting seat (1) and adapter (2). The adapter exposure to the wall is 33 mm to 37mm.

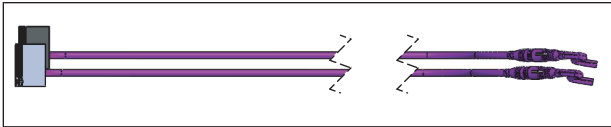
Note: The center line of mounting seat must be level.

Tools Required for Installation

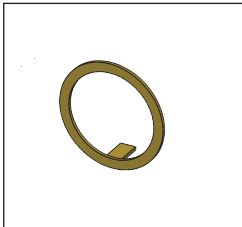
- Box (includes solenoid valve/clarinet, and battery holder)



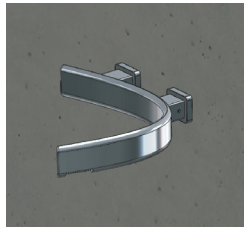
- Sensor cable



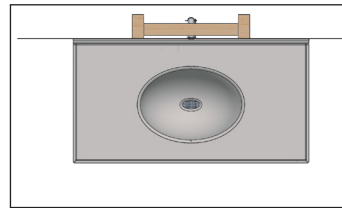
- Electrode washer



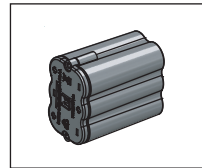
- Wall Mount Curve Faucet



- Ceramic sink



- 6 AA Alkaline batteries



- Wrench



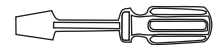
- Non metallic supply hoses



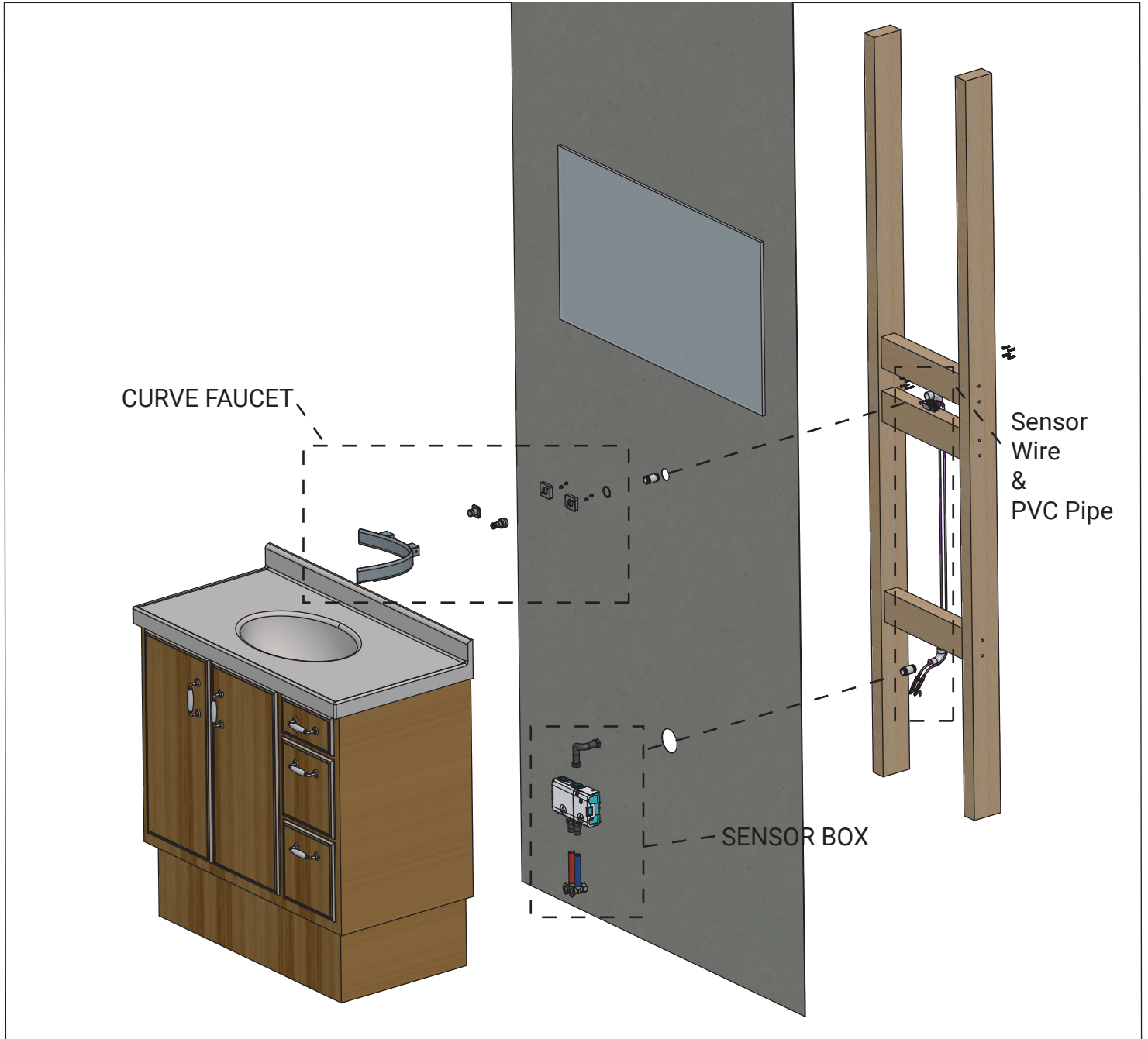
- Plastic mounting ring (only for metallic sink)



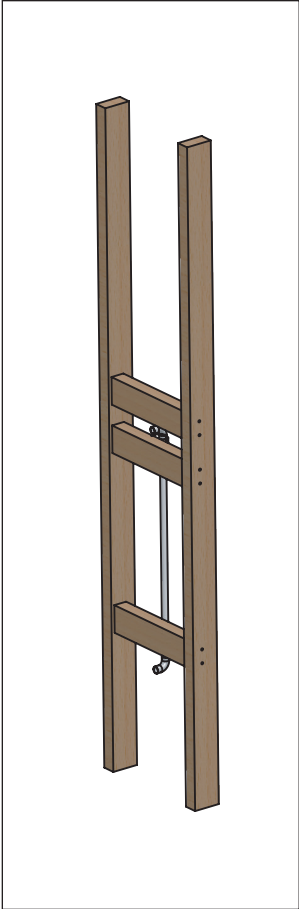
- Screwdriver



GENERAL INSTALLATION LAYOUT



INSTALL PROCESS GUIDELINES



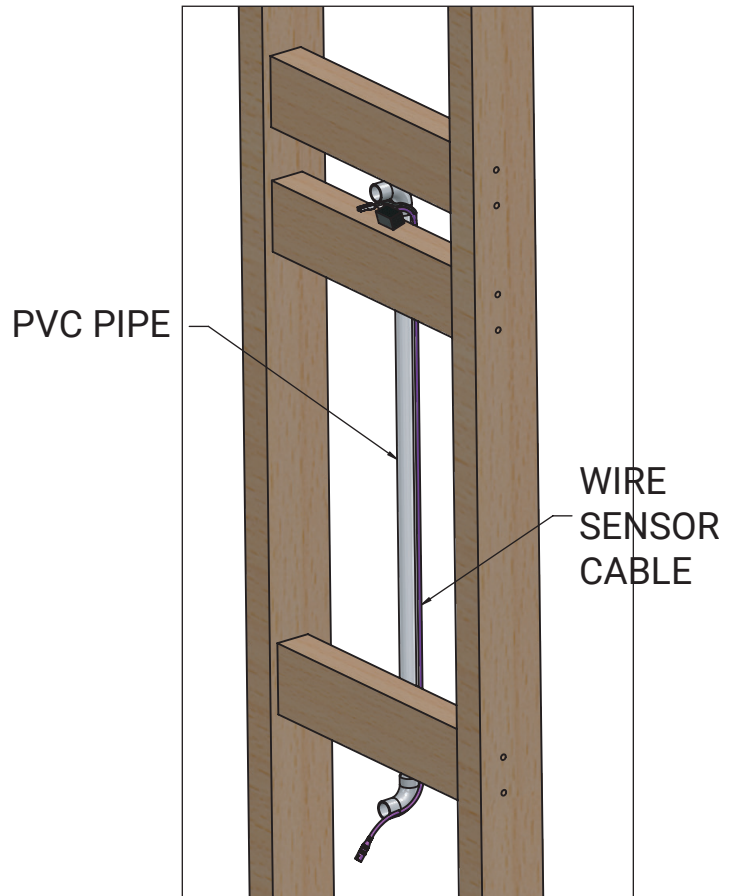
Determine the desired mounting location of the Sensor Faucet and Solenoid Box.
Mark appropriate locations on the vertical studs of the wall.
Draw a level line across the two (2) Vertical Studs as shown.

The distance between the Sensor Faucet and Solenoid box must not exceed 33"

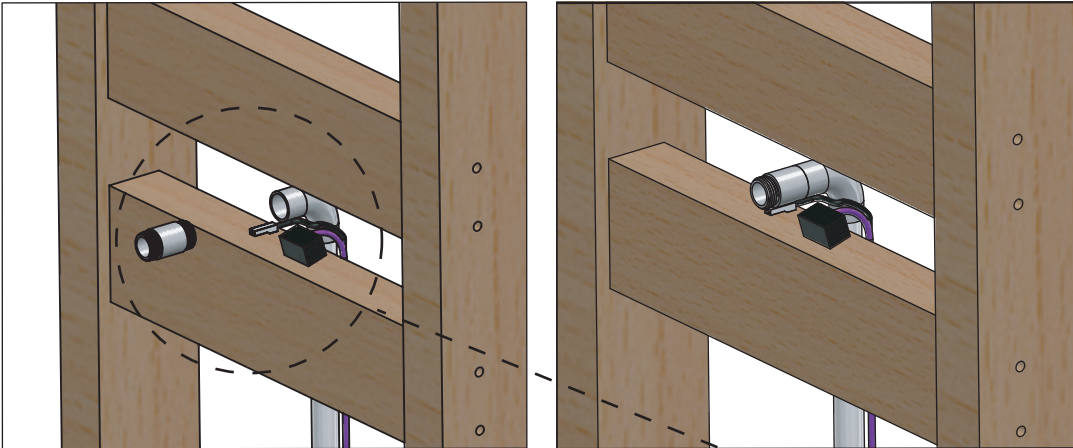
Cut three (3) 2"x 4" Horizontal Braces to fit between the Vertical Studs.
The two (2) Upper Braces shall each be installed 1 1/2" from the centerline of the desired Sensor Faucet location. The Lower Brace shall be installed 2" above the centerline of the desired Solenoid location. Secure Horizontal Braces to Vertical Studs. (Mounting hardware not included)

Use PVC piping (metal pipe/hoses can't be used with the sensor as it causes interference)

Unhook the connector from the Sensor cable and run it with the pipe ensuring the wire is not in contact of any metal



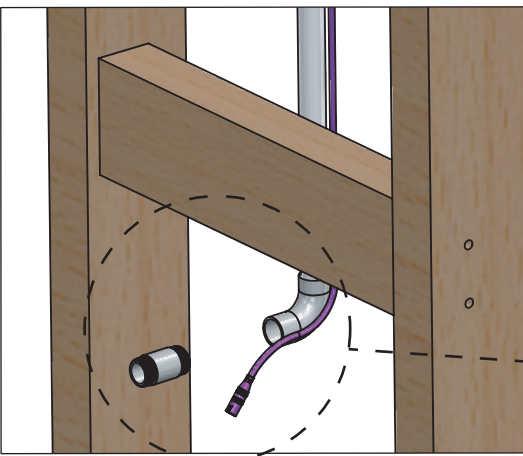
INSTALL PROCESS



Secure the connector and wire and use a 1/2" PVC Connector [nipple] to ensure the 1/2" male connection is accessible after tiling.

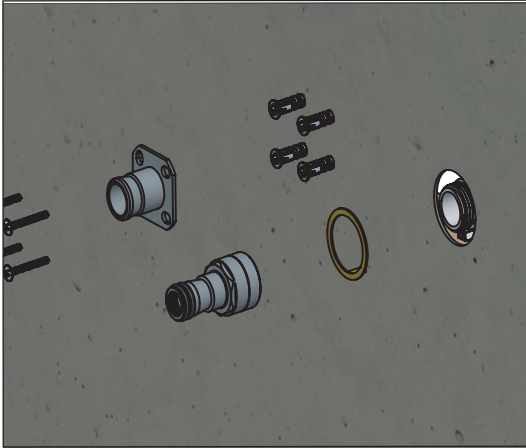
Based on the thickness of wall/dry-wall/tile get a suitable PVC connector.

The connector that fits into the Curve faucet will be connected onto this plastic nipple.

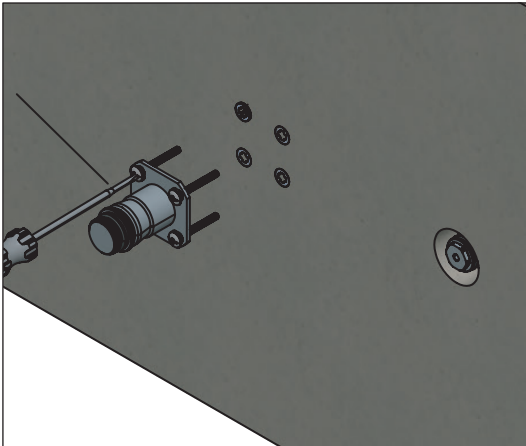


Finish the wall leaving access for the holes for the curve water supply and sensor box connection

INSTALL PROCESS



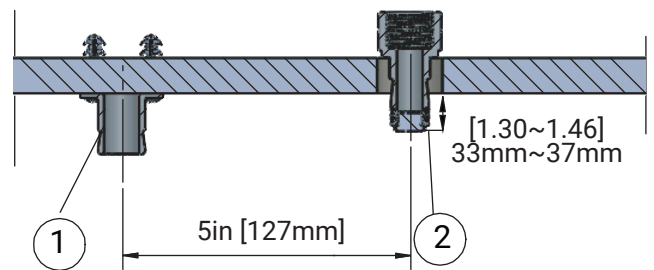
Tighten the 1/2" brass female connector onto the PVC connector pipe sticking out of the wall.



Secure the curve faucet support onto the wall.

Installing The Curve Faucet

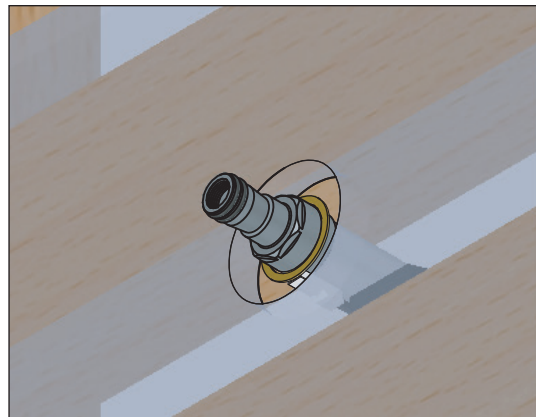
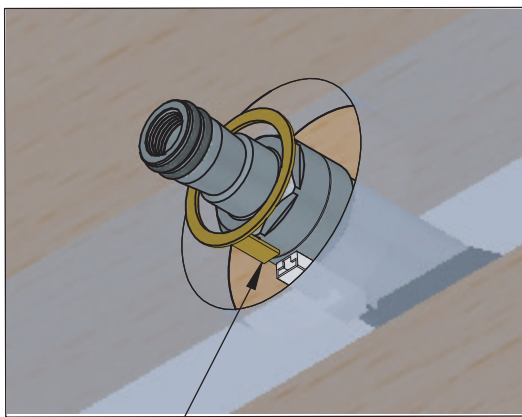
Behind Tiled Wall



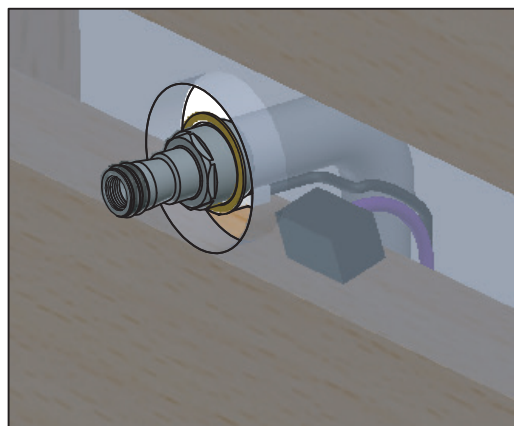
In Front Of Tiled Wall

INSTALL PROCESS

The below images show how to place the metal electrode washer around the 1/2" female brass connector. Further the electrode washer should be connected into the white part of the sensor cable.

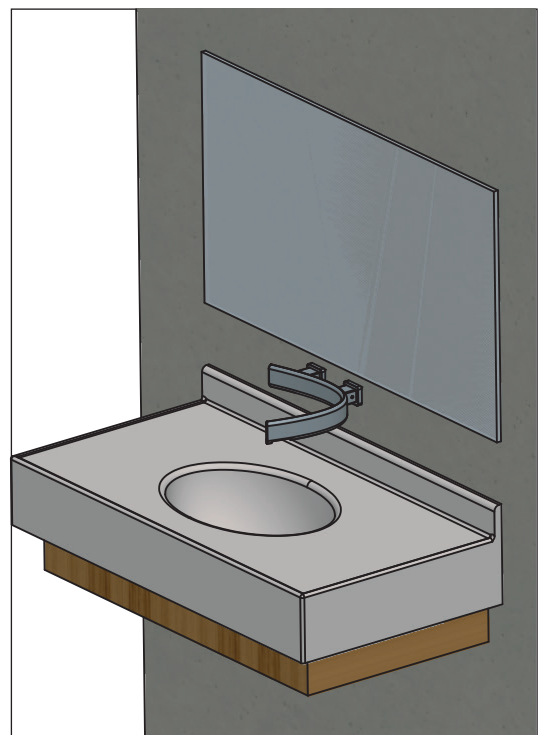
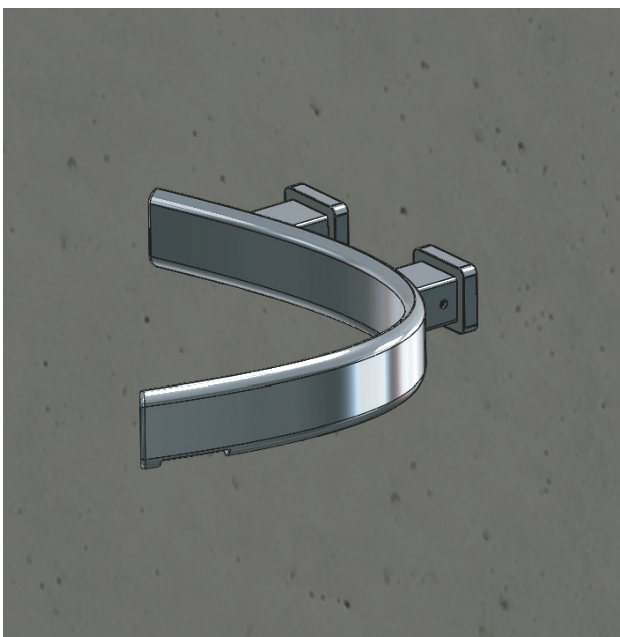
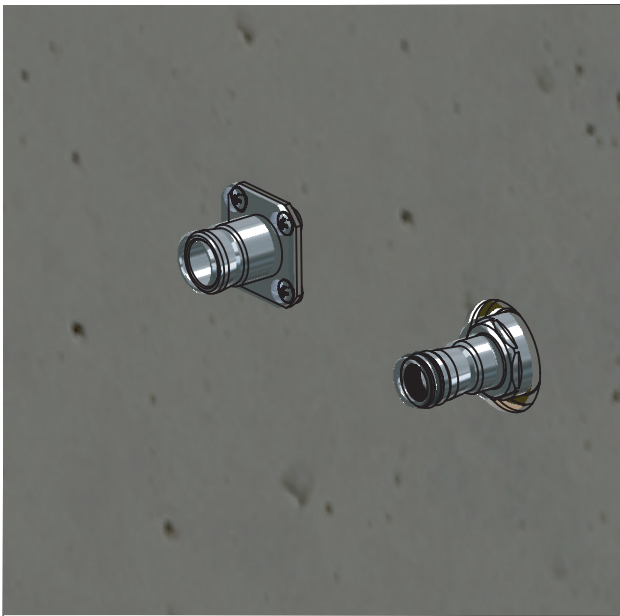


Electrode Ring

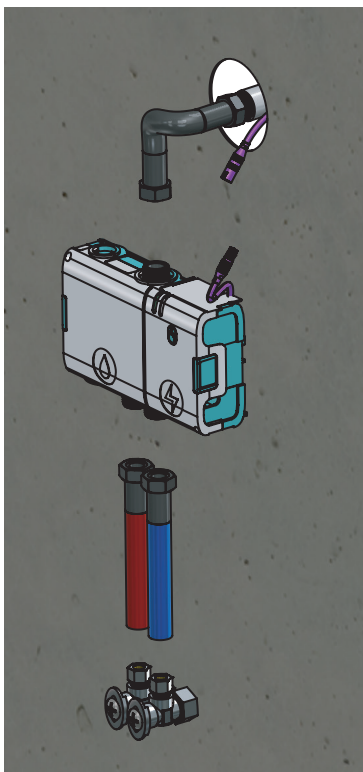


CURVE INSTALL

From here follow the install guide for curve

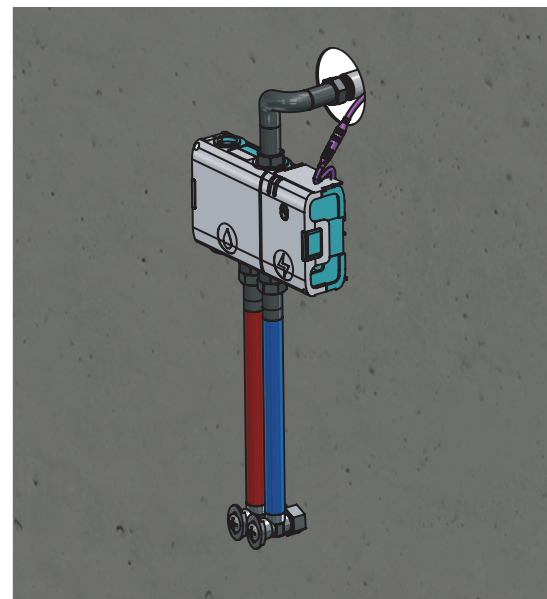


INSTALL PROCESS

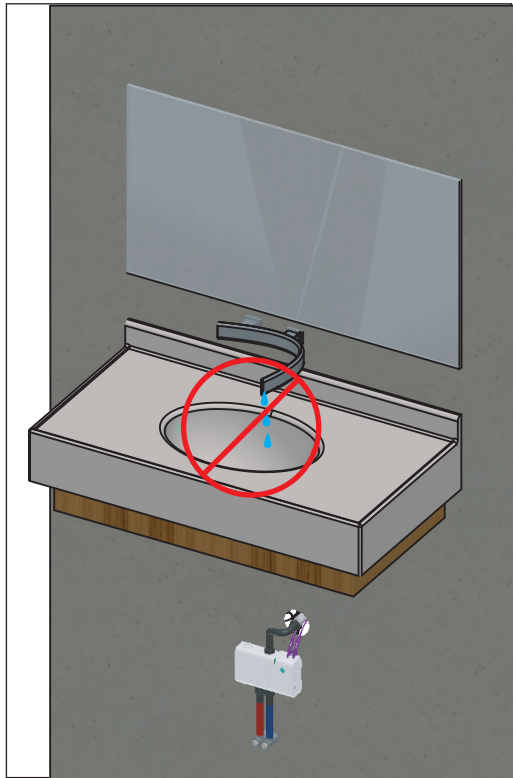


Using the sensor setup guide install the sensor box , leads and pipe.

Use PVC, plastic hoses with metal ends only.
Ensure the metal doesn't interact with the wiring



SENSOR INSTALL



TURN OFF THE WATER SUPPLY

Turn off the water supply before intervening with the faucet or plumbing.

INSTALL GUIDELINE

For installation with metallic sinks, make sure that a plastic mounting ring is placed between the faucet and the sink.

The body of the faucet must be well electrically isolated from the sink.

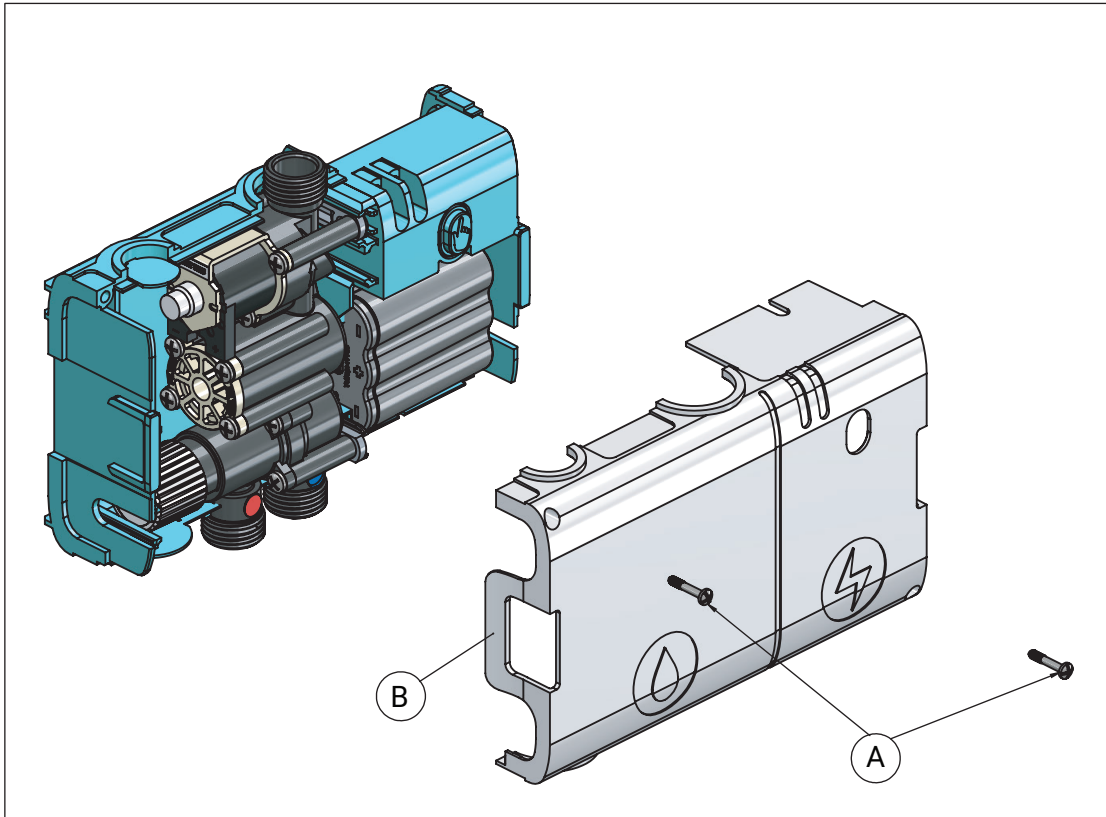
Ensure that the faucet's pipe thread is not in contact with the sink.

Install the electrode washer under the sink, between the nut and the rubber spacer. The electrode washer cannot be in contact with a metallic sink.

The electrode washer must be in contact with the faucet, to ensure optimum detection. Connect the sensor cable to the electrode washer.

In the case of a metal sink, the sink must be grounded

SENSOR BOX INSTALL

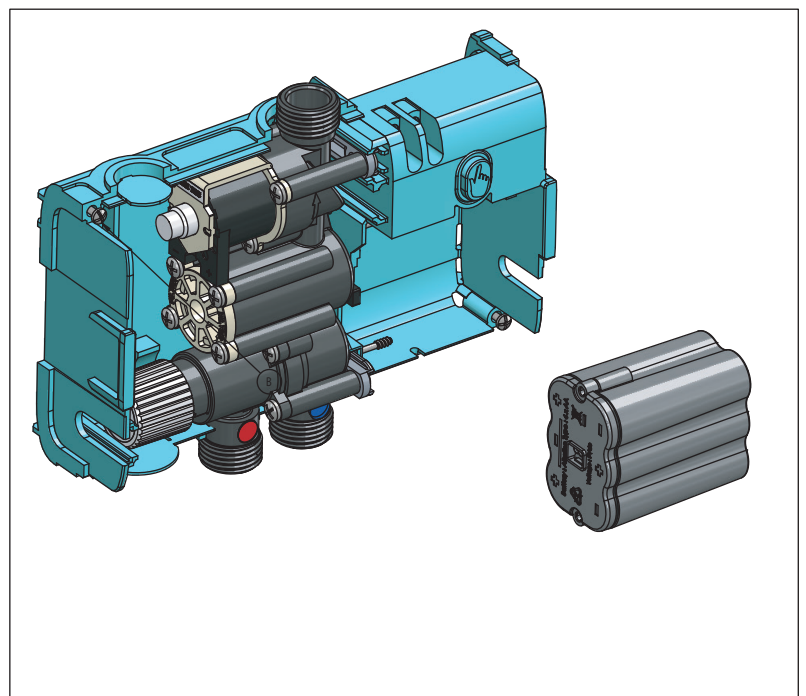


PREPARE THE BOX

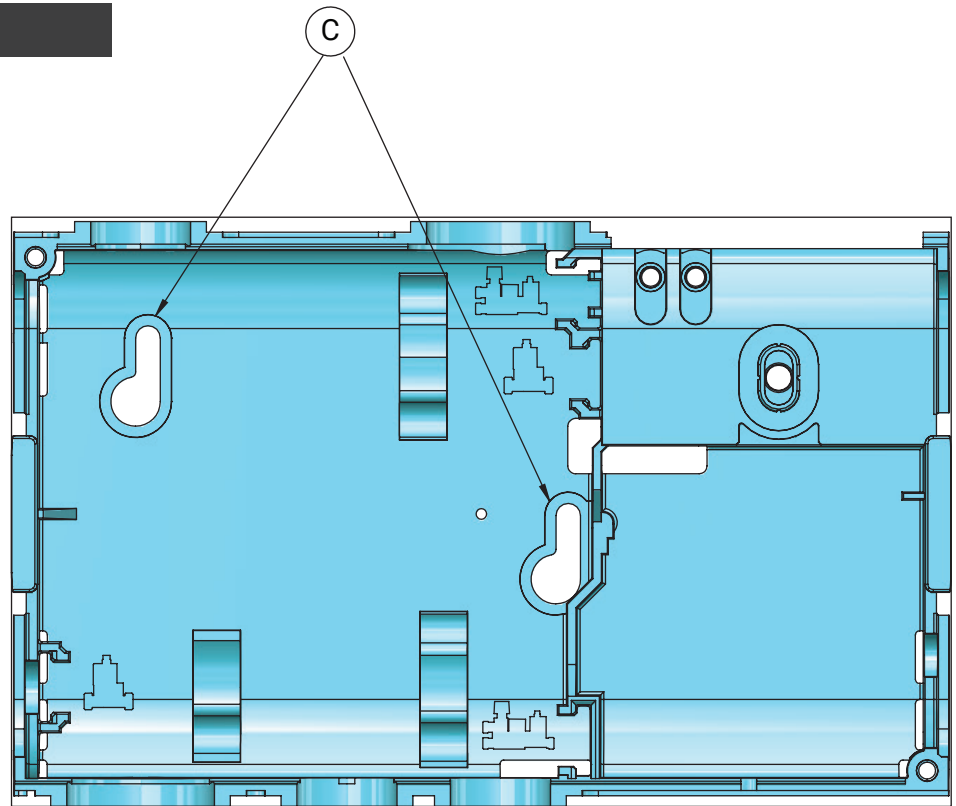
A - First unscrew the two screws.

B - Remove the cover. Press the blue parts and pull the white flaps on both sides of the box

C - Remove the solenoid valve & battery holder



SENSOR BOX INSTALL



SECURE THE BOX

Start by determining the correct position for the box:

Ensure that its position allows you to make the hydraulic connections without creating unnecessary stress on the water supply hoses. Check that the sensor wire will be able to reach the electrode washer underneath the faucet.

Make sure that the box will not bear the weight of the water hoses or be placed under strain by the installation.

Once this has been checked, hold the box in place in the optimum position. Use a pencil to mark the position of the box's screw channels (C) on the wall.

Remove the box from the wall then drill and install the screws at the points marked on the wall. Fix the box to the wall.

SENSOR BOX INSTALL

ATTACH THE WATER HOSES TO THE VALVE

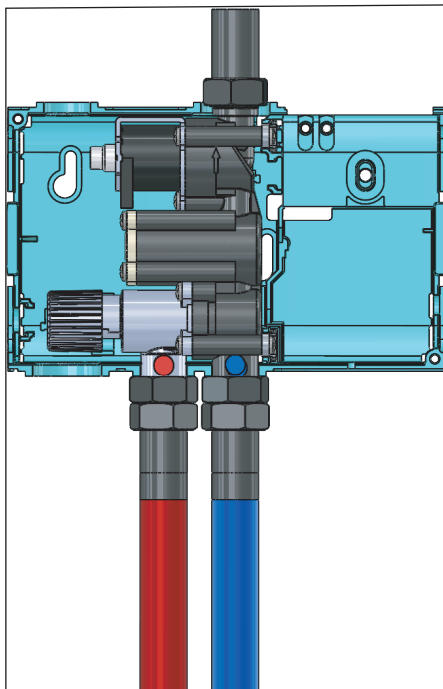
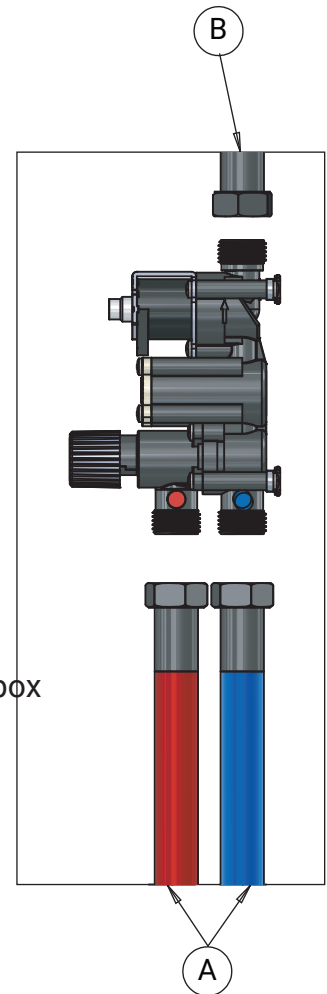
A - Attach water hose to the valve's inlet.

B - Attach water hose to the valve's outlet.

The Sensor Box has standard 1/2" connections. Water tightness is guaranteed by a flat seal placed between the valve thread and the hoses: ensure that seals have the correct dimensions, are clean and without defect, whilst checking that the seals are fit for purpose.

Do not clamp the box inlet or outlet with a wrench or other tools in order to avoid damage to the body's exterior surface and premature wear of internal components.

Replace the valve in the box according to the pictogram on the base of the box



INSTALL THE SOLENOID VALVE

Replace the valve in the box according to the PICTURE on the base of the box.

The valve's position in the box varies depending on the configuration type: single flow, premix or dual flow (see visual).

Once the valve is securely placed in the box, connect the solenoid valve's cable to the box's corresponding red and black cable.

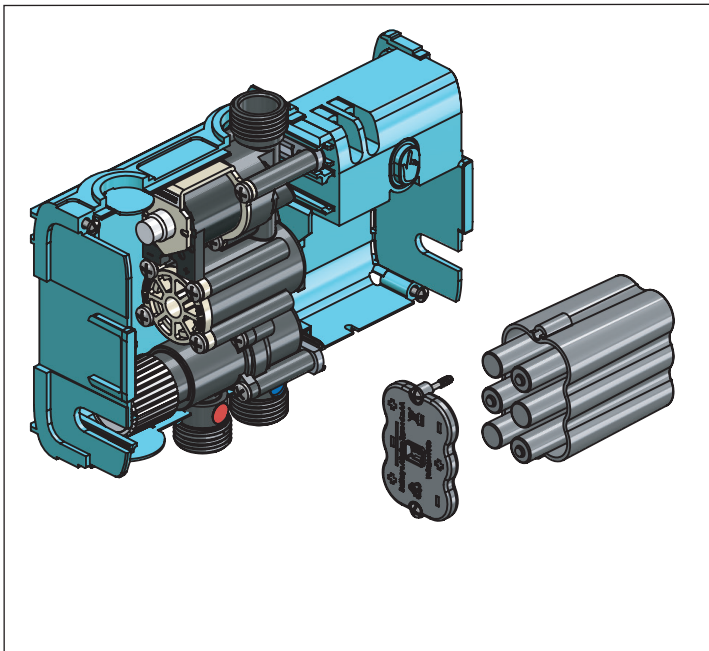
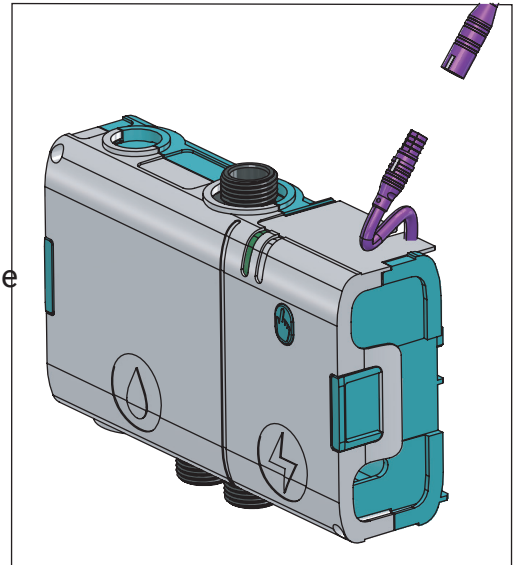
SENSOR BOX INSTALL

CONNECT THE SENSOR CABLE

The sensor cable cannot touch any other conductive material including any sort of metal objects.

The sensor cable should not be coiled.

Ensure that the sensor cable is not stretched or in contact with the water hoses.



INSERT AND CONNECT BATTERIES

Place 6 AA batteries in the battery holder according to polarity.

Place the battery holder in the box.

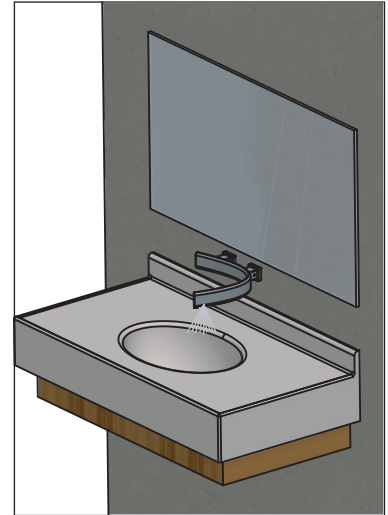
Plug the battery holder cable to the corresponding connector in the box (black and grey cable).

SENSOR BOX INSTALL

OPEN THE WATER SUPPLY

Open the water supply, allowing water to flow into the valve.

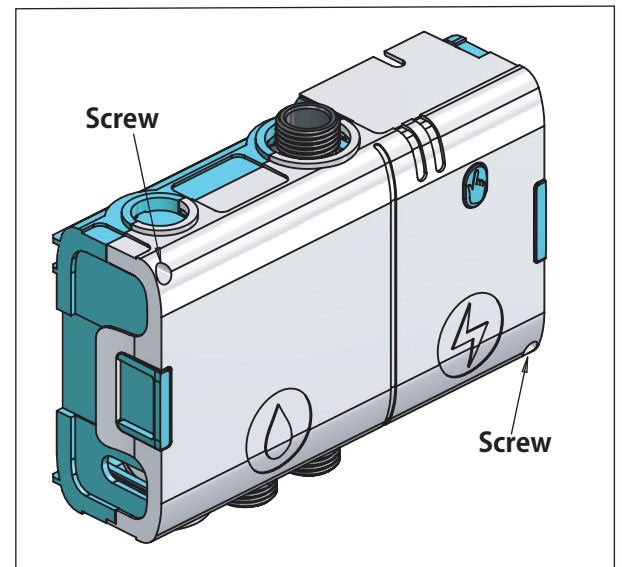
Water may start to flow from the faucet if the solenoid valve's position is open at the time of installation.



CLOSE THE BOX

Check that there are no water leakages near the hoses, faucet and valve. Then close the box cover.

You can use the 2 screws to hold the cover in place for anti-vandal purposes.



SENSOR BOX INSTALL

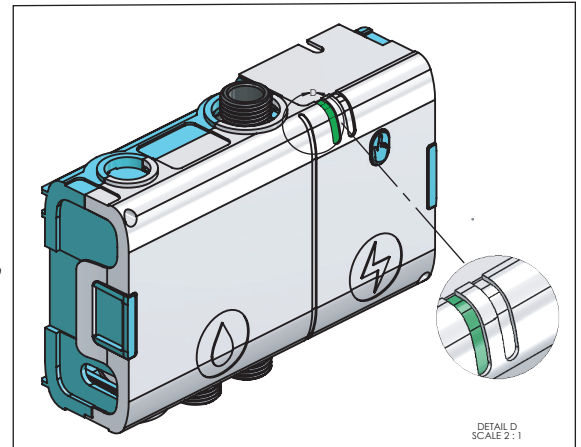
CALIBRATION

After connecting the battery holder, the led is green.

Press the button to launch the calibration. Make no contact with the faucet, box or any components of the installation. During calibration, the green led flashes and water flows from the faucet for 10s. Once the water has stopped flowing, touch the faucet and maintain contact only with one finger until the water flows again.

The water stops flowing automatically in less than 1s. If the calibration is successful, the green light stops flashing and the faucet releases a short burst of water (<1s).

If the calibration is unsuccessful, the box's red led lights up and the faucet releases two short bursts of water. In this case, unplug and reconnect the box's batteries in order to reinitialise the calibration process.



CURVE INSTALL- SENSOR MAINTENANCE

ADJUST SENSITIVITY IF NECESSARY

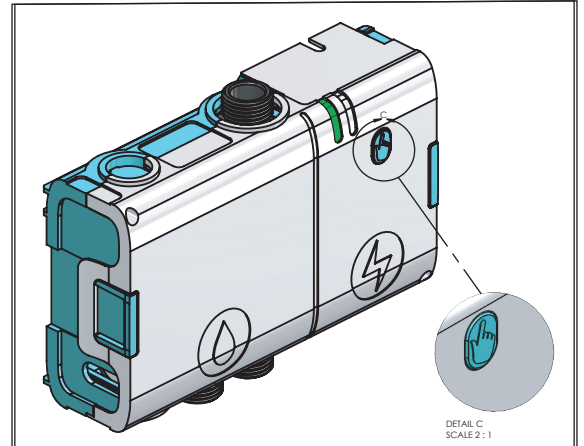
After the calibration phase, activate and deactivate the faucet 3 to 4 times. This should allow the sensor to automatically optimise sensitivity to its installation conditions but if the sensor sensitivity is not satisfactory press the button to adjust it.

The sensor has 3 levels of sensitivity:

- Level 1: low
- Level 2: medium
- Level 3: high

The level of sensitivity can be set by using the button.

- To enter sensitivity adjustment press the button for 3 seconds (until the led flashes).
- Release the button.
- The sensitivity level is indicated by a series of flashes. For example, level 2 is indicated by 2 flashes.
- Each time the button is pressed the sensitivity level increases by 1. At level 3, press once more and the system returns to level 1.
- After adjusting the level, press the button for 3 seconds to validate. Both leds flash once to confirm that the sensitivity level has been validated.
- After adjustment the system reboots and restarts an auto calibration cycle. If the sensitivity level is not validated, the led continues to flash for 25 seconds before stopping without saving the new sensitivity level



SENSOR MAINTENANCE

LOW BATTERY

When batteries reach a low level the box's red LED blinks every 5 seconds. The batteries are nearly empty and need to be changed quickly before the system shuts off. It takes on average 10 days for the system to go from low battery to shut off.

MANUAL OVERRIDE

To continue using the faucet manually when the batteries are empty, press the control button. The faucet can now be opened and closed by using the faucet's handle alone. Once the batteries have been replaced, normal sensor operation resumes automatically.

Manual override is available for up to two weeks after the box's batteries are empty.

FILTER MAINTENANCE

Depending on the installation's water quality it may be necessary to clean or replace the box's valve filter.

FILTER CLEANING

Remove the valve from the box, Run water into the valve's inlet Whilst tilting the valve to the side to allow impurities to pour out into the sink.

FILTER REPLACEMENT

Remove the valve from the box. Use a pair of tweezers to remove the filter from the valve. Put an identical filter in place with the filter grill facing outwards. Push the filter into the valve up until the mechanical stop.

